

Excellent Integrated System Limited

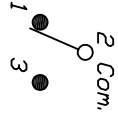
Stocking Distributor

Click to view price, real time Inventory, Delivery & Lifecycle Information:

[E-Switch](#)
[100SP1T1B8M1QEH](#)

For any questions, you can email us directly:

sales@integrated-circuit.com

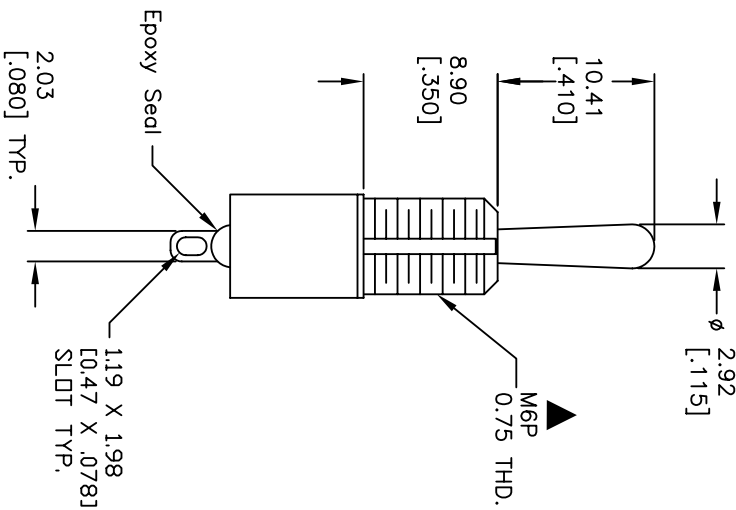
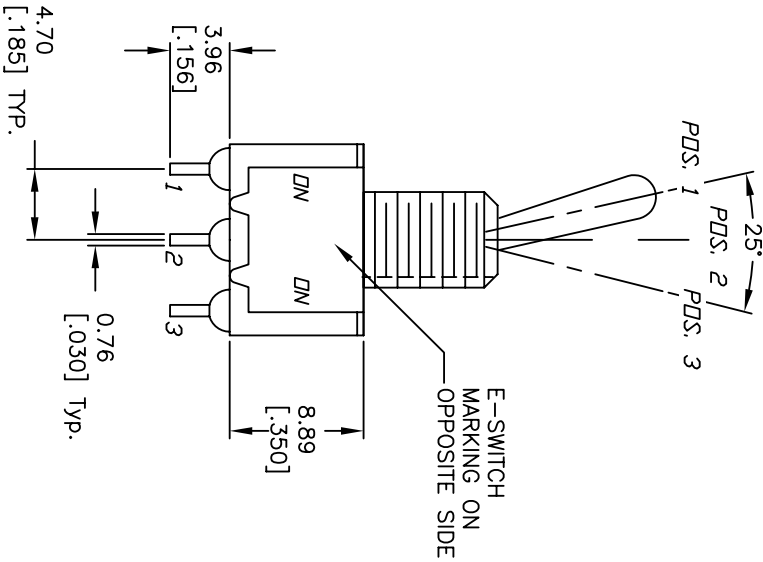
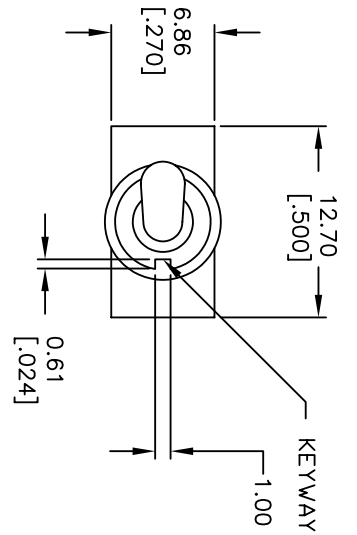


CIRCUIT: SPDT

SWITCH FUNCTION		
PDS. 1	PDS. 2	PDS. 3
DN	NONE	DN
2-3	DPEN	2-1

NOTES:

1. ALL DIMENSIONS IN MM [INCH]
2. GENERAL TOLERANCE: X.X=±0.4
X.XX=±0.25
3. TERM. NOS. FOR REF. ONLY
4. RATING: 5A @120VAC OR 28VDC
2A @250VAC
5. ELECTRICAL LIFE: 50,000 make-and-break
cycles at full load.
6. INSULATION RESISTANCE: 1,000M ohm min.
7. DIELECTRIC STRENGTH: 1000V RMS @sea level
8. OPERATING TEMP.: -30°C to 85°C
9. 2002/95/EC (ROHS) COMPLIANT
10. HARDWARE TO BE SUPPLIED IN BULK:
T100011-LOCK WASHER QTY-1
T100015-LOCK RING QTY-1
T100005-HEX NUT QTY-2



E-SWITCH®

100 SP-1 T1 B8 M1 Q EH

TITLE

SCALE

2:1

DATE

11/7/05

DR

PH

DWG

ST111023

REV

A

PH

DATE

11/7/05

CHKD

PH

DESCRIPTION

RELEASED FOR PRODUCTION

ECN No.

REV.

A

THE INFORMATION CONTAINED IN THIS DOCUMENT IS PROPRIETARY TO E-SWITCH AND IS NOT TO BE COPIED OR TRANSMITTED