

## Excellent Integrated System Limited

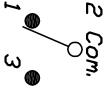
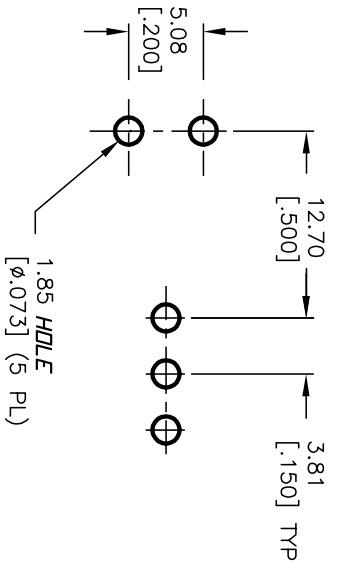
Stocking Distributor

Click to view price, real time Inventory, Delivery & Lifecycle Information:

[E-Switch](#)  
[100SP1T2B4M7QE](#)

For any questions, you can email us directly:

[sales@integrated-circuit.com](mailto:sales@integrated-circuit.com)



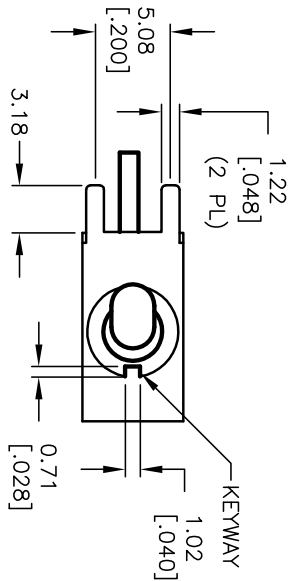
RECOMMENDED PCB LAYOUT

SPDT CIRCUIT CONTACT CONFIGURATION

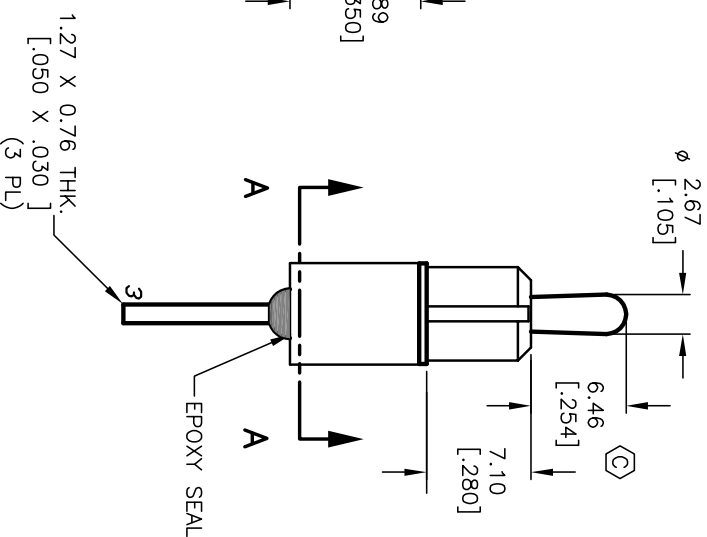
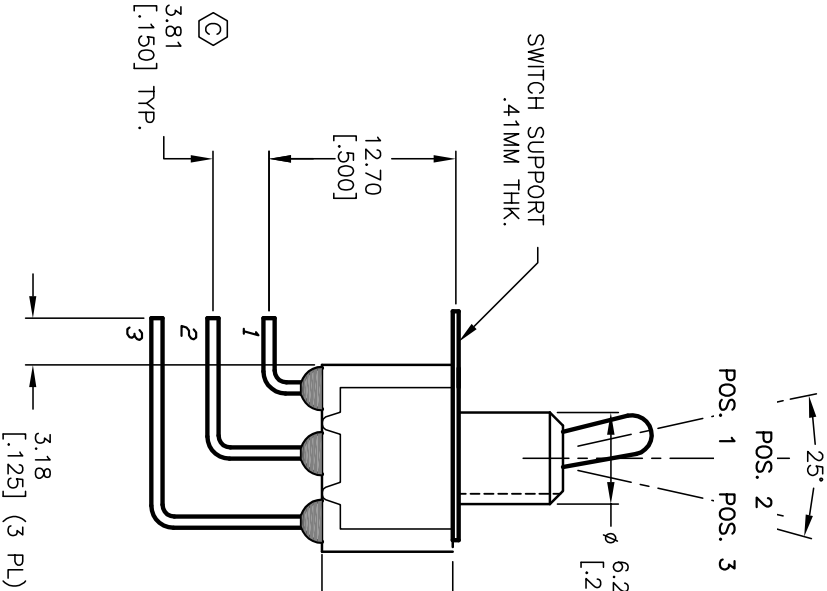
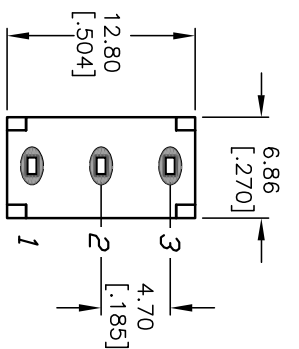
POS. 1	POS. 2	POS. 3
DN	NONE	DN
2-3	DPEN	2-1

NOTES:

1. ALL DIMENSIONS IN MM [INCH]
2. GENERAL TOLERANCE: X.X=±0.4 X.XX=±0.25
3. TERMINAL NUMBERS FOR REF ONLY
4. RATING: 5A @120VAC or 28VDC; 2A @250V AC
5. FIXED TERM. & MOVING CONTACT: COPPER Alloy w/Silver plate.
6. ELECTRIC LIFE: 50,000 make-and-break cycles at full load.
7. INSULATION RESISTANCE: 1,000 Mega-ohm min.
8. DIELECTRIC STRENGTH: 1,000 V RMS @sea level.
9. OPERATING TEMP.: -30°C to +85°C



SECTION A-A



**E-SWITCH®**

100SP1T2B4M7QE

REV.	ECN No.	DESCRIPTION	DATE	CHKD
C	14309	ACTUATOR & TERMINALS	9/10/04	AR
B	12547	REVISED AND REDRAWN	12/2/02	CB
REV.	ECN No.	DESCRIPTION	DATE	CHKD

THE INFORMATION CONTAINED IN THIS DOCUMENT IS PROPRIETARY TO E-SWITCH AND IS NOT TO BE COPIED OR TRANSMITTED

TITLE	SCALE	DATE	DR	DWG	REV
100SP1T2B4M7QE	2:1	--	--	T111604	C