

Excellent Integrated System Limited

Stocking Distributor

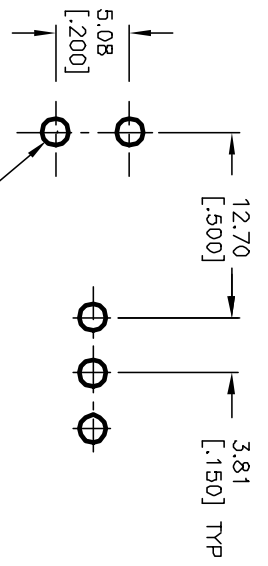
Click to view price, real time Inventory, Delivery & Lifecycle Information:

[E-Switch](#)
[100SP1T6B12M7QE](#)

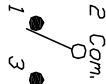
For any questions, you can email us directly:

sales@integrated-circuit.com

SHEET OF



RECOMMENDED PCB LAYOUT

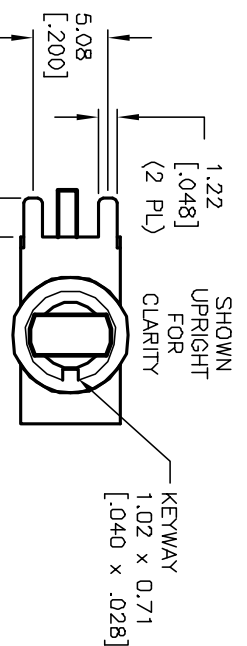


SPDT CIRCUIT
CONTACT CONFIGURATION

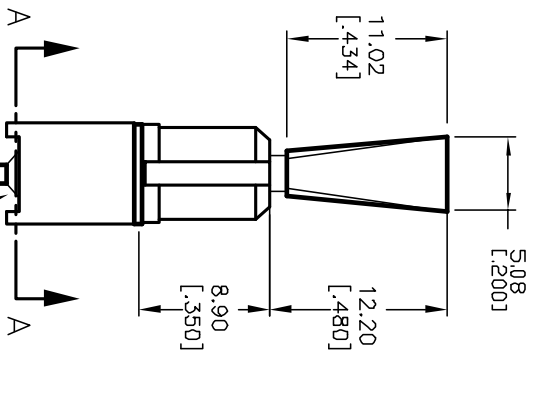
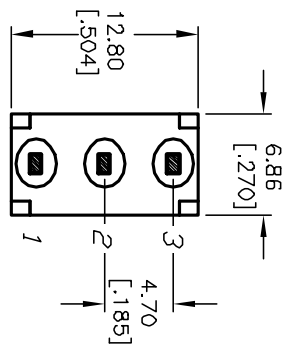
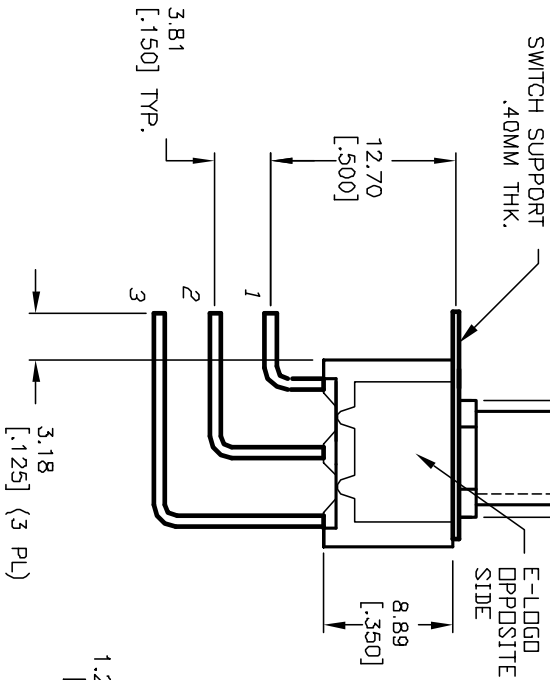
SWITCH FUNCTION		
POS. 1	POS. 2	POS. 3
DN	NONE	DN
2-3	OPEN	2-1

NOTES:

1. ALL DIMENSIONS IN MM [INCH]
2. GENERAL TOLERANCE: X.X=±0.4 X.XX=±0.25
3. TERMINAL NUMBERS FOR REF ONLY
4. RATING: 5A @120VAC OR 28VDC: 2A @250VAC
5. FIXED TERM. & MOVING CONTACT: Cu Alloy w/ Silver plate.
6. ELECTRIC LIFE: 50,000 make-and-break cycles at full load.
7. INSULATION RESISTANCE: 1,000 Mega-ohm min.
8. DIELECTRIC STRENGTH: 1,000 V RMS @sea level.
9. OPERATING TEMP: -30°C to +85°C



▲ **T6 ACTUATOR W/ BUILT IN ANTI-ROTATION



REV.	ECN NO.	DESCRIPTION	DATE	CHKD
A	12018	RELEASED FOR PRODUCTION	3/26/02	CB

THE INFORMATION CONTAINED IN THIS DOCUMENT IS PROPRIETARY TO E-SWITCH AND IS NOT TO BE COPIED OR TRANSMITTED

TITLE	SCALE	DATE	DR	DWG	REV
100 SP-1 T6 B12 M7 Q E	2:1	3/26/02	CB	T111102	A

E-SWITCH®