

Excellent Integrated System Limited

Stocking Distributor

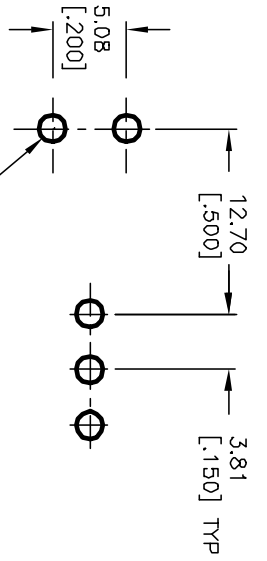
Click to view price, real time Inventory, Delivery & Lifecycle Information:

[E-Switch](#)
[100SP2T2B2M7QE](#)

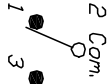
For any questions, you can email us directly:

sales@integrated-circuit.com

SHEET OF



RECOMMENDED PCB LAYOUT

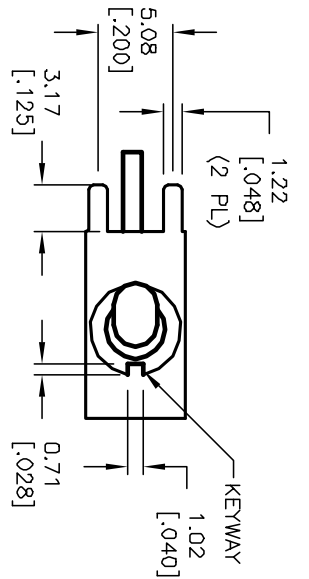


SPDT CIRCUIT CONTACT CONFIGURATION

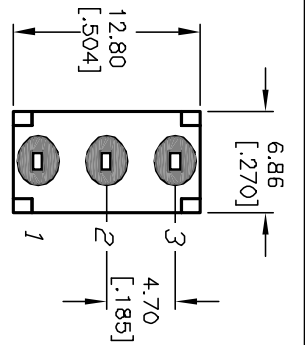
SWITCH FUNCTION		
POS. 1	POS. 2	POS. 3
DN	NONE	COM
2-3	OPEN	2-1

NOTES:

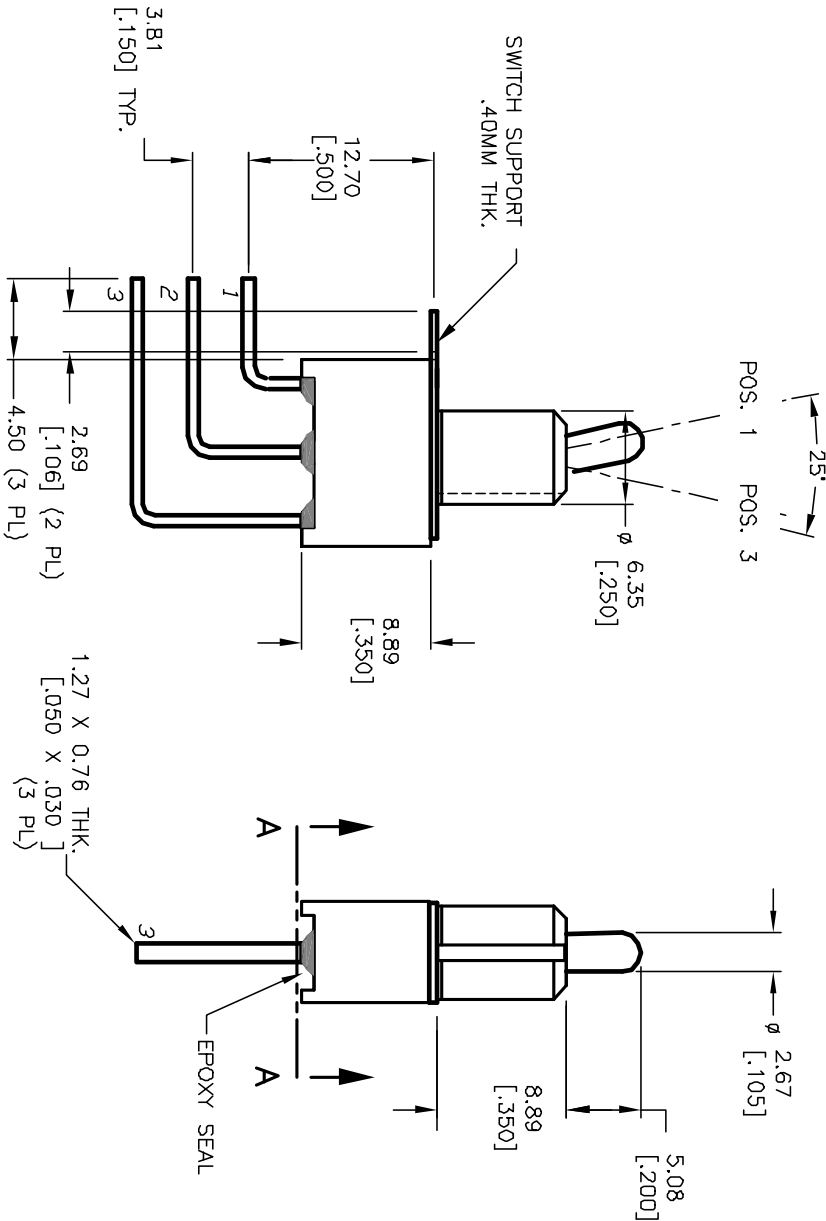
1. ALL DIMENSIONS IN MM [INCH]
2. GENERAL TOLERANCE: X.X=±0.4 X.XX=±0.25
3. TERMINAL NUMBERS FOR REF ONLY
4. RATING: 5A @120VAC OR 28VDC: 2A @250VAC
5. FIXED TERM. & MOVING CONTACT: Cu Alloy w/ Silver plate.
6. ELECTRIC LIFE: 50,000 make-and-break cycles at full load.
7. INSULATION RESISTANCE: 1,000 Mega-ohm min.
8. DIELECTRIC STRENGTH: 1,000 V RMS @sea level.
9. OPERATING TEMP: -30°C to +85°C



POS. 1 POS. 3



SECTION A-A



REV.	ECN No.	RELEASED	DESCRIPTION	DATE	CHKD
A	12394			9/3/02	CB

TITLE		SCALE	DATE	DR	DWG	REV
100 SP-2 T2 B2 M7 Q E		2:1	9/3/02	CB	T112021	A

E-SWITCH®

THE INFORMATION CONTAINED IN THIS DOCUMENT IS PROPRIETARY TO E-SWITCH AND IS NOT TO BE COPIED OR TRANSMITTED