

Excellent Integrated System Limited

Stocking Distributor

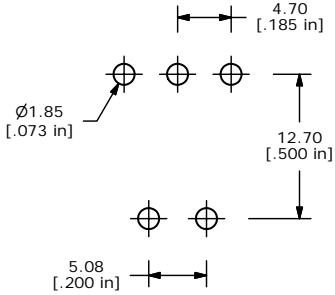
Click to view price, real time Inventory, Delivery & Lifecycle Information:

[E-Switch](#)
[100SP4T1B1M6REH](#)

For any questions, you can email us directly:

sales@integrated-circuit.com

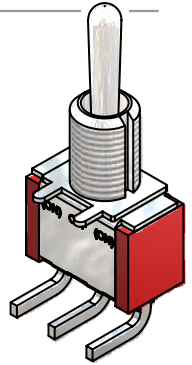
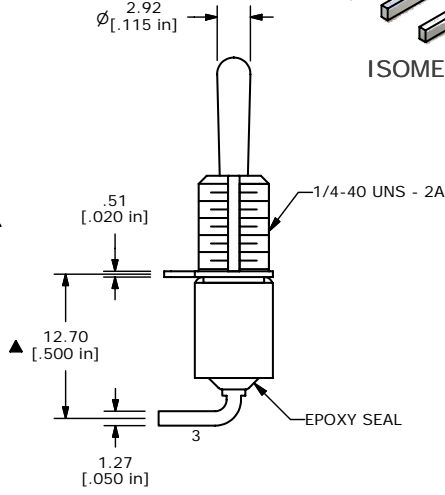
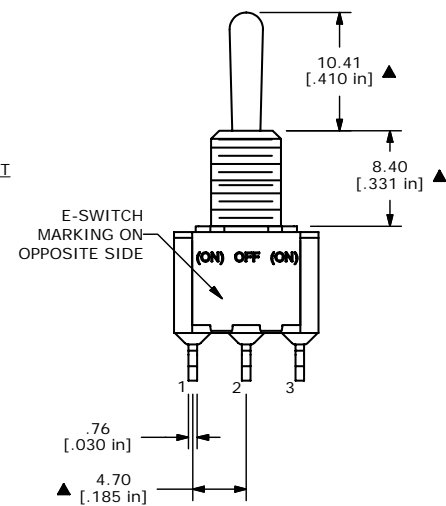
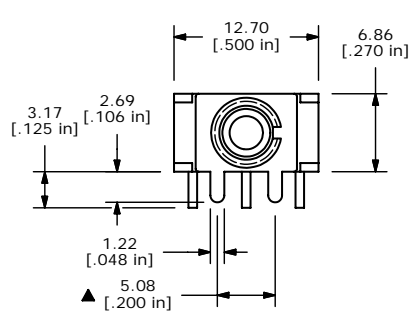
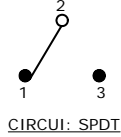
SHEET 1 OF 1



P.C. MOUNTING

| SWITCH FUNCTION | | |
|-----------------|--------|--------|
| POS. 1 | POS. 2 | POS. 3 |
| | | |
| (ON) | OFF | (ON) |
| 2-3 | OPEN | 2-1 |

(ON) = MOMENTARY



ISOMETRIC

- NOTE:
- ALL DIMENSIONS IN MM [INCH]
 - GENERAL TOLERANCE: X.X=±0.4
X.XX=±0.25
 - TERMINAL NUMBERS FOR REF ONLY
 - ▲ PLATING MATERIAL: GOLD
 - RATING: 0.4VA @20VAC OR VDC MAX.
 - ELECTRIC LIFE: 40,000 make-and-break cycles at full load.
 - INSULATION RESISTANCE: 1,000 Mega-ohm min.
 - DIELECTRIC STRENGTH: 1,000 V RMS @sea level.
 - OPERATING TEMP.: -30°C to 85°C
 - ▲ DENOTES CRITICAL PARAMETER.
 - 2002/95/EC (ROHS) COMPLIANT
 - HARDWARE TO BE SUPPLIED BULK:
 T100011-LOCK WASHER QTY-1
 T100015-LOCK RING QTY-1
 T100000-HEX NUT QTY-2



| | | | |
|-----------------------|-----------------|-------|--------------|
| TITLE 100SP4T1B1M6REH | | | |
| SCALE 2:1 | DATE 12/21/2006 | DR TN | DWG ST114088 |
| REV A | | | |

| | | | | |
|-----|--------|-------------------------|----------|----|
| A | 16773 | RELEASED FOR PRODUCTION | 12/21/06 | TN |
| REV | PCR NO | DESCRIPTION | DATE | BY |

THE INFORMATION CONTAINED IN THIS DOCUMENT IS PROPRIETARY TO E-SWITCH AND IS NOT TO BE COPIED OR TRANSFERRED