

Excellent Integrated System Limited

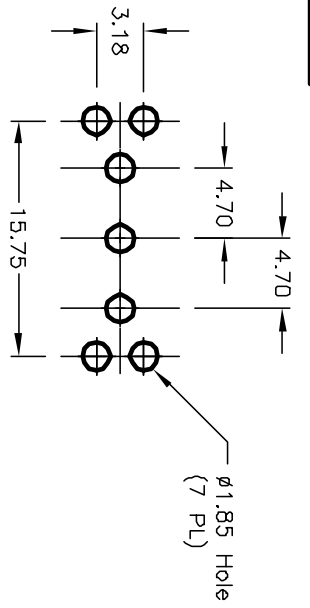
Stocking Distributor

Click to view price, real time Inventory, Delivery & Lifecycle Information:

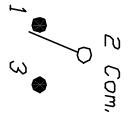
[E-Switch](#)
[100SP4T1B2VS2QE](#)

For any questions, you can email us directly:

sales@integrated-circuit.com



RECOMMENDED P.C.B. LAYOUT



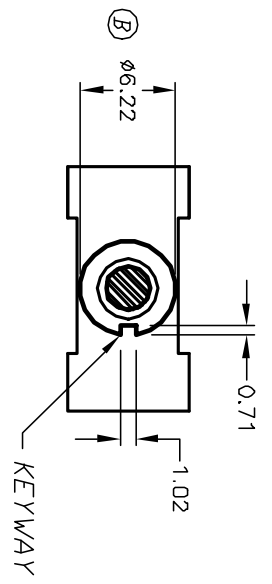
CIRCUIT: SPDT

SWITCH FUNCTION		
POS. 1	POS. 2	POS. 3
(DN)	DFF	(DN)
2-3	DPEN	2-1

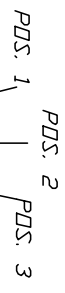
NOTES:

- ALL DIMENSIONS IN MM
- GENERAL TOLERANCE: X.X=±0.4
X.XX=±0.25
- TERM. NOS. FOR REF. ONLY
- RATING: 5A @120VAC OR 28VDC
2A @250VAC w/Resistive loads
- FIXED TERM. & MOVING CONTACTS:
Copper alloy w/SILVER plate
- ELECTRICAL LIFE: 50,000 make-and-break cycles at full load.
- INSULATION RESISTANCE: 1000M ohm min.
- DIELECTRIC STRENGTH: 1000V RMS min. @sea level.
- OPERATING TEMP.: -30°C to +85°C

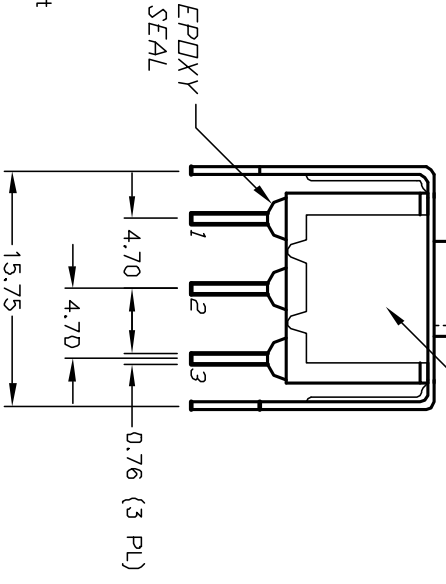
() = Momentary



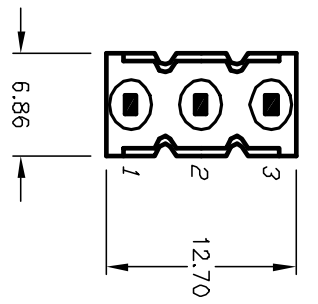
KEYWAY



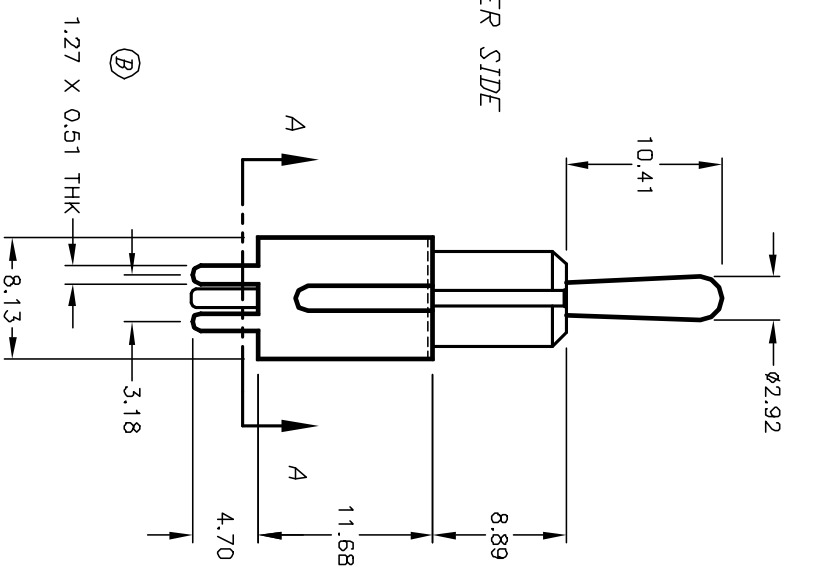
E-LOGO
DN OTHER SIDE



EPOXY SEAL



VIEW A-A



REV.	ECN No.	DESCRIPTION	DATE	CHKD
A	11414	RELEASED FOR PRODUCTION	4/12/01	CJB
B	12030	REVISED	4/2/02	CJB

TITLE	SCALE	DATE	DR	DWG	REV
100 SP-4 T1 B2 VS2 Q E	2:1	4/12/01	CJB	T114034	B

E-SWITCH®

THE INFORMATION CONTAINED IN THIS DOCUMENT IS PROPRIETARY TO E-SWITCH AND IS NOT TO BE COPIED OR TRANSMITTED