

## Excellent Integrated System Limited

Stocking Distributor

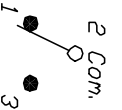
Click to view price, real time Inventory, Delivery & Lifecycle Information:

[E-Switch](#)  
[200AWMSP4T1A1M7QE](#)

For any questions, you can email us directly:




[sales@integrated-circuit.com](mailto:sales@integrated-circuit.com)

SHEET OF

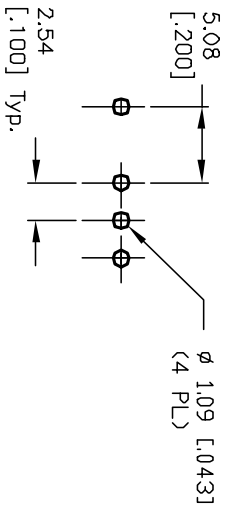


CIRCUIT: SPDT

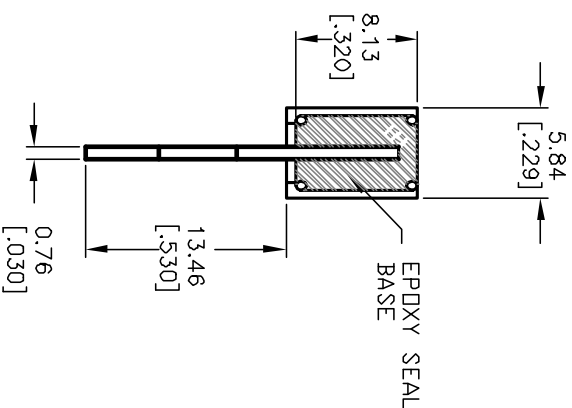
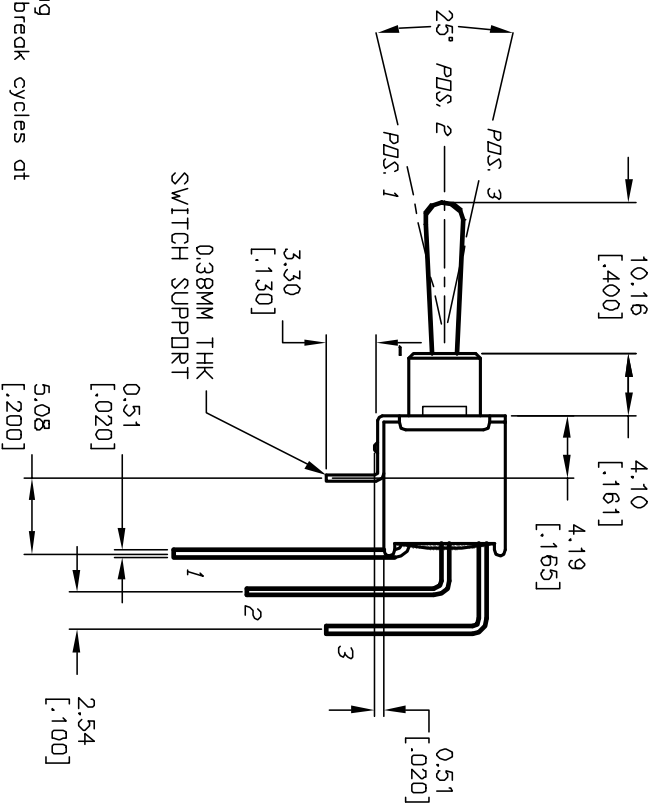
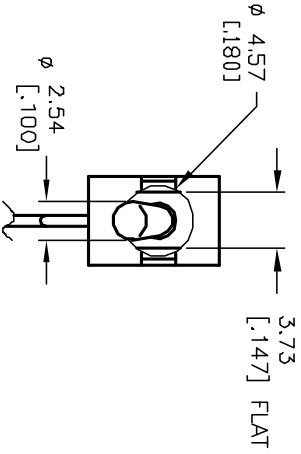
CONTACT CONFIGURATION

SWITCH FUNCTION		
POS. 1	POS. 2	POS. 3
		
<DN>	OFF	<DN>
2-3	OPEN	2-1

( ) = Momentary



RECOMMENDED P.C.B. LAYOUT



NOTES:

1. ALL DIMENSIONS IN MM [INCH]
2. GENERAL TOLERANCE: XX=±0.4  
X.XX=±0.25
3. TERM. NOS. FOR REF. ONLY
4. RATING: 3A @120 VAC or 28VDC;  
1A @250VAC
5. FIXED TERM. & MOVING CONTACT:  
Copper alloy w/Silver Plating
6. ELECTRICAL LIFE: 50,000 make-and-break cycles at full load.
7. INSULATION RESISTANCE: 1000M ohm min.
8. DIELECTRIC STRENGTH: 1000V RMS min. @sea level.
9. OPERATING TEMP.: -30°C to 85°C

**E-SWITCH®**

REV.	ECN NO.	DESCRIPTION	DATE	CHKD
A	12567	RELEASED FOR PRODUCTION	11/15/02	CJB

TITLE	SCALE	DATE	DR	DWG	REV
200A WSP-4 T1 A1 M7 Q E	2:1	11/15/02	CJB	T201421	A

THE INFORMATION CONTAINED IN THIS DOCUMENT IS PROPRIETARY TO E-SWITCH AND IS NOT TO BE COPIED OR TRANSMITTED