

## Excellent Integrated System Limited

Stocking Distributor

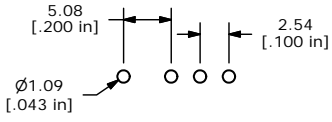
Click to view price, real time Inventory, Delivery & Lifecycle Information:

[E-Switch](#)  
[200AWMSP5T2A1M7RE](#)

For any questions, you can email us directly:

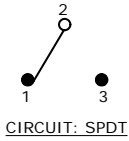
[sales@integrated-circuit.com](mailto:sales@integrated-circuit.com)

SHEET 1 OF 1

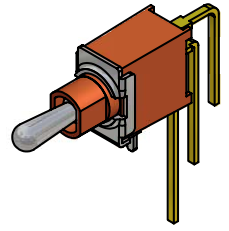
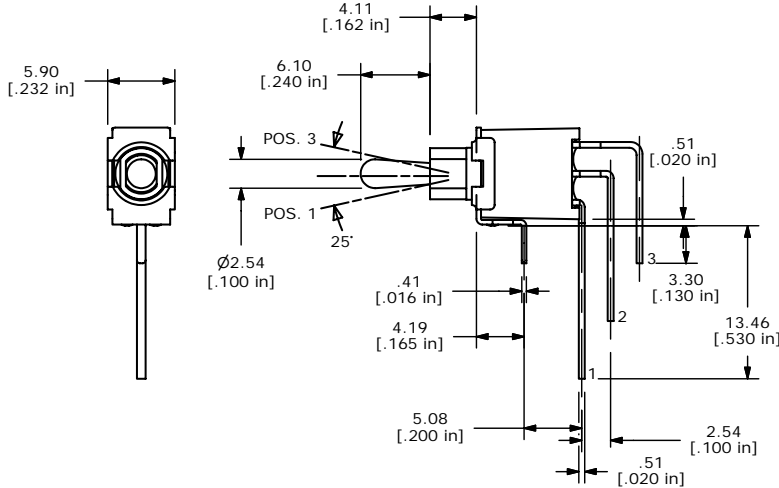


PC MOUNTING

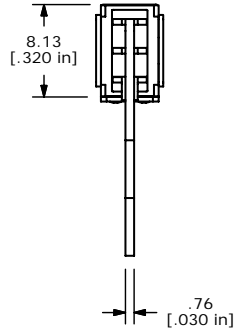
SWITCH FUNCTION		
POS. 1	POS. 2	POS. 3
2-3	OPEN	2-1
(ON)=MOMENTARY		



CIRCUIT: SPDT



ISOMETRIC



- NOTE:
1. ALL DIMENSIONS IN MM [INCH]
  2. GENERAL TOLERANCE: X.X=±0.4  
X.XX=±0.25
  3. TERMINAL NUMBERS FOR REF ONLY
  - ▲ 4. PLATING MATERIAL: GOLD
  5. RATING: 0.4VA MAX. @ 20V MAX. AC OR DC
  6. ELECTRIC LIFE: 50,000 MAKE-AND-BREAK CYCLES AT FULL LOAD.
  7. INSULATION RESISTANCE: 1,000 MEGA-OHM MIN.
  8. DIELECTRIC STRENGTH: 1,000 V RMS @SEA LEVEL.
  9. OPERATING TEMP.: -30°C to 85°C
  10. ▲ DENOTES CRITICAL PARAMETER.



B	15527	DIM FROM 4.84 TO 5.08	11/11/05	PH
A	15475	RELEASED FOR PRODUCTION	11/1/05	PH
REV	PCR NO	DESCRIPTION	DATE	BY

TITLE 200AWMSP5T2A1M7RE				
SCALE 2:1	DATE 11/1/2005	DR PH	DWG T201239	REV B

THE INFORMATION CONTAINED IN THIS DOCUMENT IS PROPRIETARY TO E-SWITCH AND IS NOT TO BE COPIED OR TRANSFERRED