

Excellent Integrated System Limited

Stocking Distributor

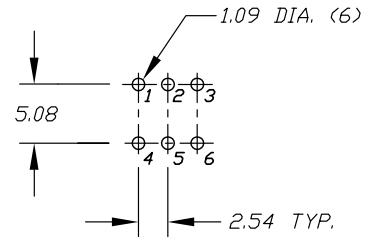
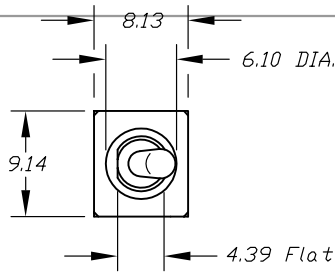
Click to view price, real time Inventory, Delivery & Lifecycle Information:

[E-Switch](#)
[200MDP1T2B2M2QE](#)

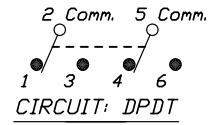
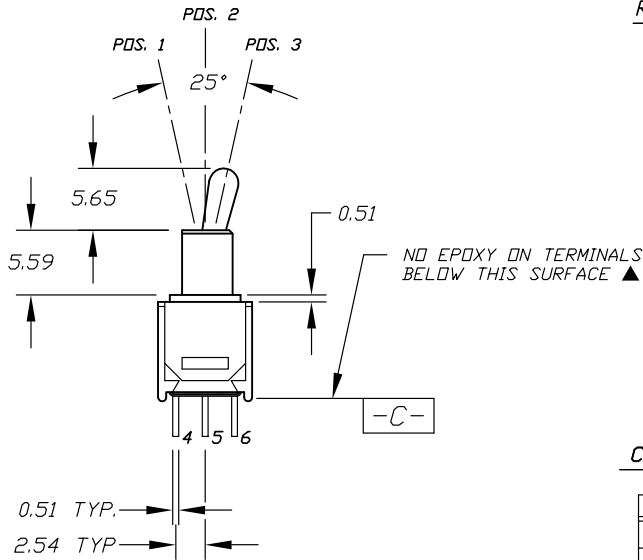
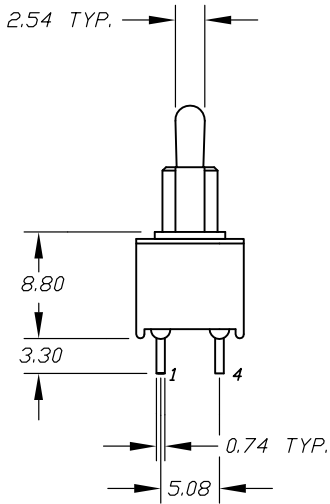
For any questions, you can email us directly:

sales@integrated-circuit.com

SHEET 01



RECOMMEND P.C.B. HOLES



CIRCUIT: DPDT
CONTACT CONFIGURATION

SWITCH FUNCTION		
POS. 1	POS. 2	POS. 3
ON	NONE	ON
2-3,5-6	OPEN	2-1,5-4

NOTES:

1. ALL DIMENSIONS IN MM
2. TERM. NOS. FOR REF ONLY
3. RATING: 3 Amps @120VAC or 28VDC; 1 Amp @250VAC

REV.	DESCRIPTION	DATE	CHKD
B	REVISED & REDRAWN		

THE INFORMATION CONTAINED IN THIS DOCUMENT IS PROPRIETARY TO E-SWITCH AND IS NOT TO BE COPIED OR TRANSFERRED

TOLERANCES		±0.4		±0.25		E-SWITCH®	
		0.0		0.00		TITLE	
						200 MDP-1 T2 B2 M2 Q E	
		SCALE		DATE		DR	
		2:1		1/15/97		MM	
						DWG	
						T221001	
						REV	
						B	