

Excellent Integrated System Limited

Stocking Distributor

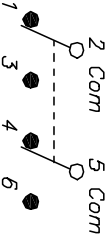
Click to view price, real time Inventory, Delivery & Lifecycle Information:

[E-Switch](#)
[200MDP1T3B2M7RE](#)

For any questions, you can email us directly:

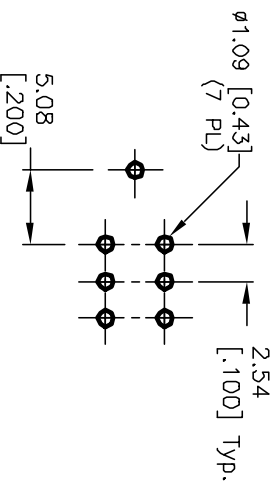
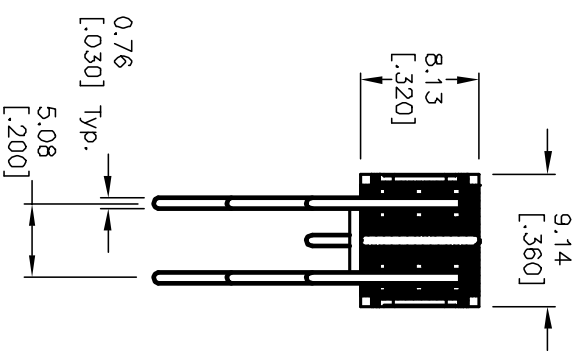
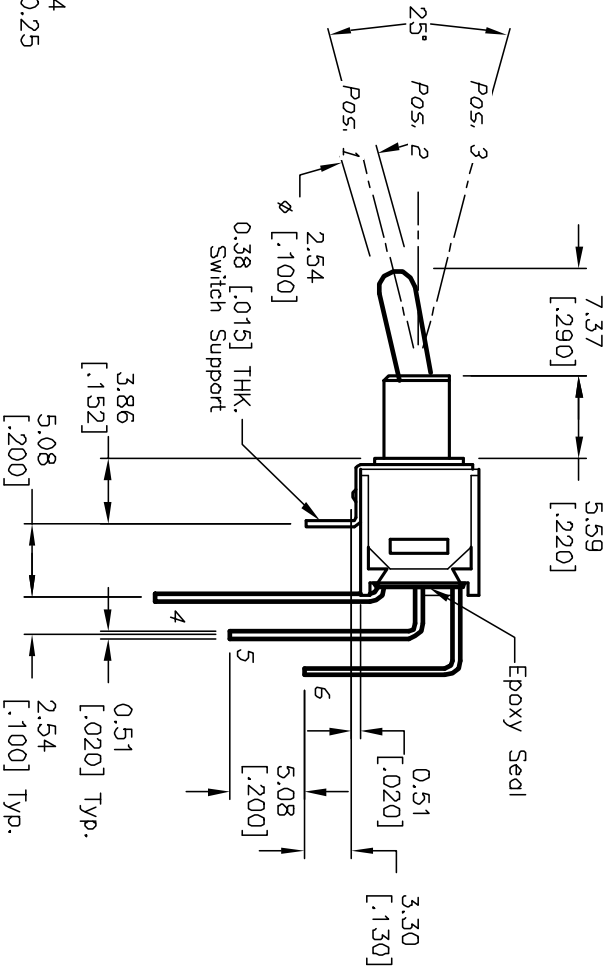
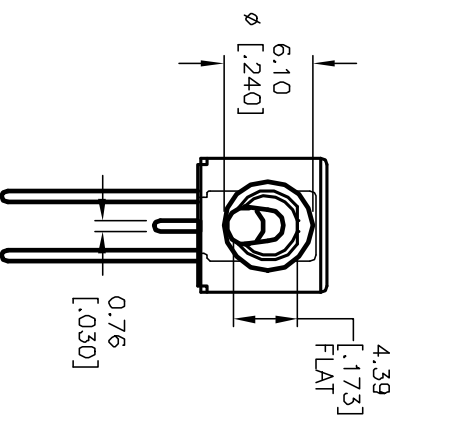
sales@integrated-circuit.com

SHEET OF



CIRCUIT: DPDT
 CONTACT CONFIGURATION

SWITCH FUNCTION		
POS. 1	POS. 2	POS. 3
DN	NONE	DN
2-3-5-6	OPEN	2-1-5-4



RECOMMENDED P.C.B. LAYOUT

NOTES:

1. ALL DIMENSIONS IN MM [INCH]
2. GENERAL TOLERANCE: X.X=±0.4 X.XX=±0.25
3. TERM. NOS. FOR REF. ONLY
4. RATING: 0.4V @20V AC or DC
5. FIXED TERM. MOVING CONTACT:
Copper Alloy w/GOLD plating over
Nickel plate.
6. ELECTRICAL LIFE: 30,000 make-and-break cycle at full load.
7. DIELECTRIC STRENGTH: 1,000 V RMS @sea level.
8. OPERATING TEMP.: -30°C to 85°C

REV.	ECN No.	DESCRIPTION	DATE	CHKD
A	I2141	RELEASED FOR PRODUCTION	5/10/02	CJB
		DE-SCRIPTION		CHKD

TITLE	SCALE	DATE	DR	DWG	REV
200 MDP-1 T3 B2 M7 R E (GOLD CONTACTS)	2:1	5/1/02	CJB	T221328	A

E-SWITCH®

THE INFORMATION CONTAINED IN THIS DOCUMENT IS PROPRIETARY TO E-SWITCH AND IS NOT TO BE COPIED OR TRANSMITTED