

## Excellent Integrated System Limited

Stocking Distributor

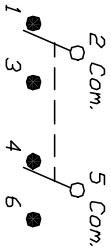
Click to view price, real time Inventory, Delivery & Lifecycle Information:

[E-Switch](#)  
[200MDP1T4B4M1RE](#)

For any questions, you can email us directly:

[sales@integrated-circuit.com](mailto:sales@integrated-circuit.com)

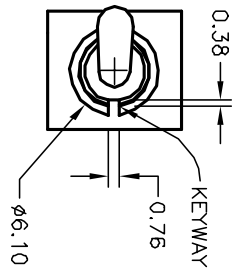
SWITCH FUNCTION		
POS. 1	POS. 2	POS. 3
DN	NONE	DN
2-3,5-6	DPEN	2-1,5-4



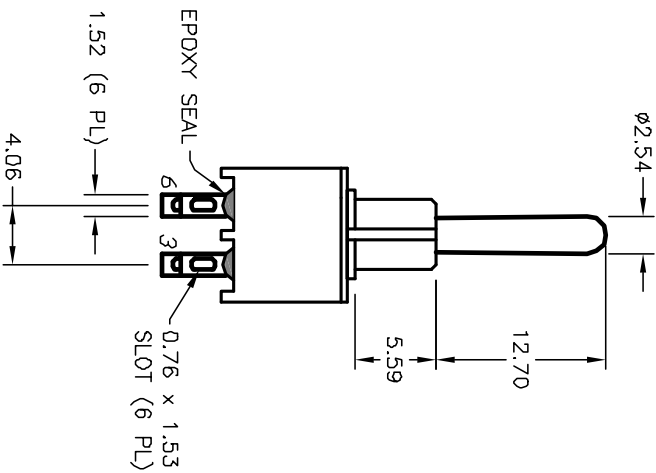
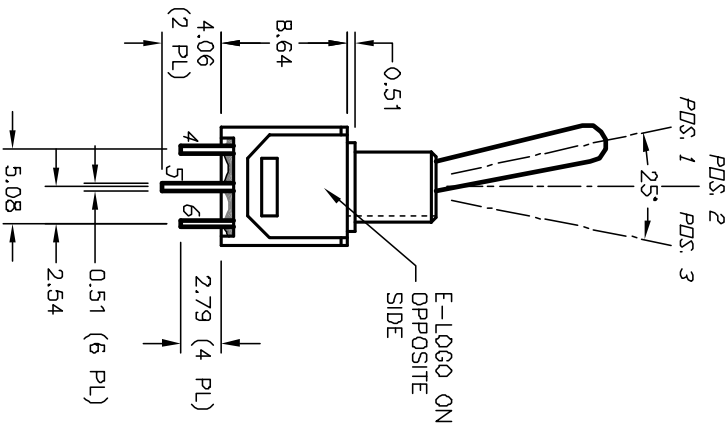
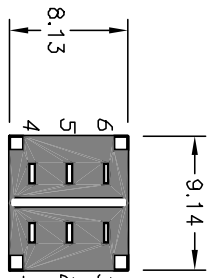
CIRCUIT, DPDT

NOTES:

1. ALL DIMENSIONS IN MM
2. GENERAL TOLERANCE: X.X=±0.4  
X.XX=±0.25
3. TERMINAL NUMBERS FOR REF ONLY
4. RATING: 0.4(VA) @20V max. (ACor DC)
5. CONTACT MATERIAL:  
Copper Alloy w/Gold plate over Nickel plate.
6. ELECTRICAL LIFE: 30,000 make-and-break cycles at full load.
7. INSULATION RESISTANCE: 1,000 Mega-ohm min.
8. DIELECTRIC STRENGTH: 1,000 V RMS @sea level.
9. CONTACT RESISTANCE: 20mΩ-Ohms max. Typical Initial @2-4VDC
10. OPERATING TEMP.: -30°C to 85°C



BOTTOM VIEW



**E-SWITCH®**

REV. A	ECN No. 12267	RELEASED FOR PRODUCTION	DATE 6/26/02	CHKD CJB
REV. A		DESCRIPTION DE-SCRIPTION	DATE 6/26/02	CHKD CJB
THE INFORMATION CONTAINED IN THIS DOCUMENT IS PROPRIETARY TO E-SWITCH AND IS NOT TO BE COPIED OR TRANSMITTED				

TITLE	SCALE	DATE	DR	DWG	REV
200 MDP1 T4 B4 M1 R E (GOLD CONTACTS)	2:1	6/26/02	CJB	T221041	A