

Excellent Integrated System Limited

Stocking Distributor

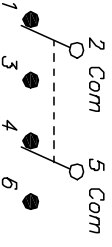
Click to view price, real time Inventory, Delivery & Lifecycle Information:

[E-Switch](#)
[200MDP1T4B4M7QE](#)

For any questions, you can email us directly:

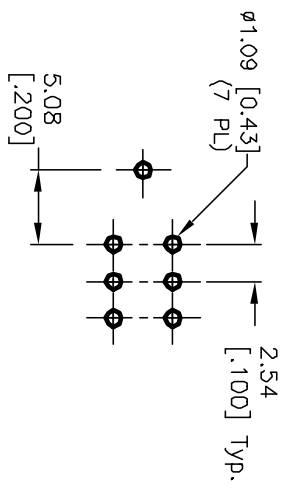
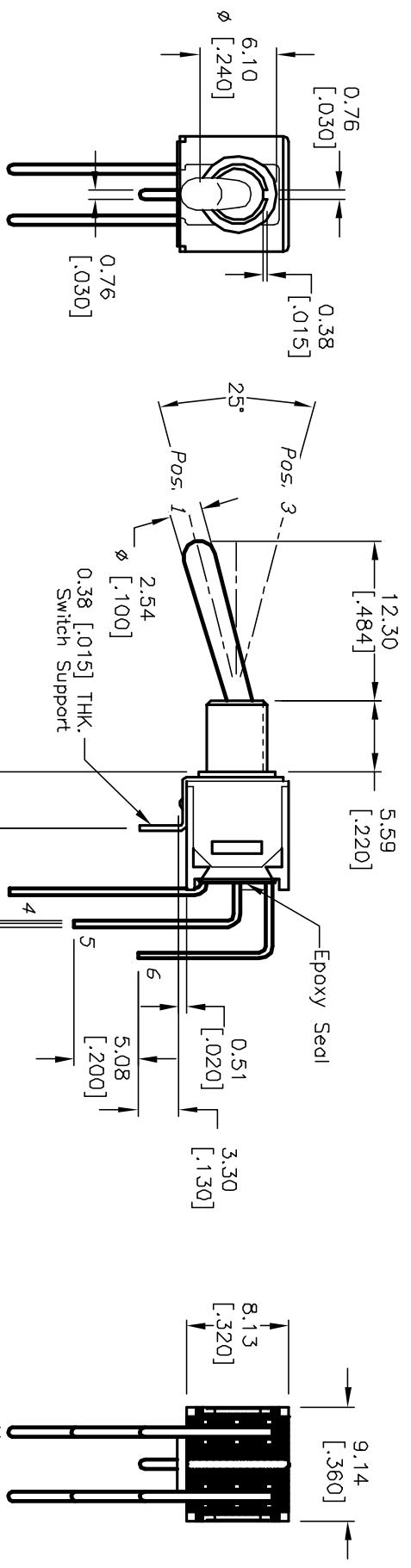
sales@integrated-circuit.com

SHEET OF



CIRCUIT: DPDT
 CONTACT CONFIGURATION

SWITCH FUNCTION		
PDS. 1	PDS. 2	PDS. 3
DN	NONE	DN
2-3-5-6	OPEN	2-1-5-4



RECOMMENDED P.C.B. LAYOUT

NOTES:

1. ALL DIMENSIONS IN MM [INCH]
2. GENERAL TOLERANCE: X.X=±0.4 X.XX=±0.25
3. TERM. NOS. FOR REF. ONLY
4. RATING: 3A @120VAC or 28VDC; 1A @250VAC.
5. FIXED TERM. MOVING CONTACT: Copper Alloy w/Silver plating
6. ELECTRICAL LIFE: 30,000 make-and-break cycle at full load.
7. DIELECTRIC STRENGTH: 1,000 V RMS @sea level.
8. OPERATING TEMP.: -30°C to 85°C

REV.	ECN No.	DESCRIPTION	DATE	CHKD	SCALE	DATE	DR	DWG	REV
B	12110	ACTUATOR WAS 12.7mm	5/1/02	CJB	2:1	5/1/02	CJB	T221447	B
TITLE					200 MDP-1 T4 B4 M7 Q E				
THE INFORMATION CONTAINED IN THIS DOCUMENT IS PROPRIETARY TO E-SWITCH AND IS NOT TO BE COPIED OR TRANSMITTED					E-SWITCH®				