

Excellent Integrated System Limited

Stocking Distributor

Click to view price, real time Inventory, Delivery & Lifecycle Information:

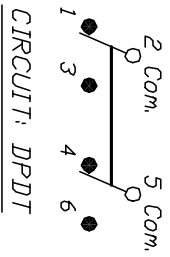
[E-Switch](#)
[200MDP2T2B2M1QE](#)

For any questions, you can email us directly:

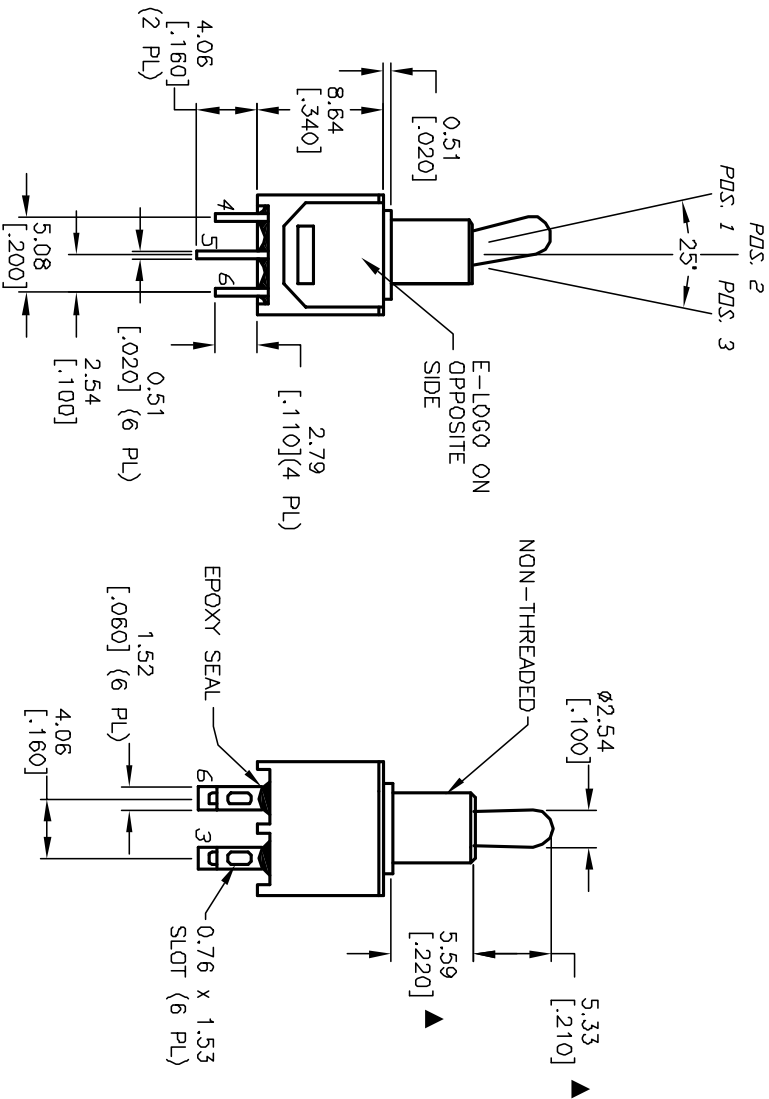
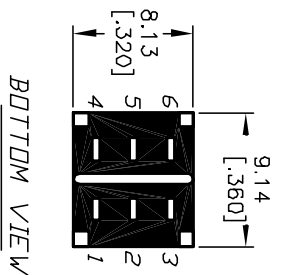
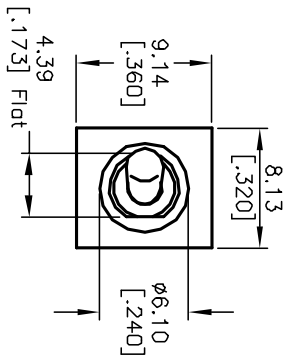
sales@integrated-circuit.com

▲ SWITCH FUNCTION		
POS. 1	POS. 2	POS. 3
DN	NONE	(DN)
2-3,5-6	OPEN	2-1,5-4

() = MOMENTARY



- NOTES:
1. ALL DIMENSIONS IN MM
 2. GENERAL TOLERANCE: X.X=±0.4
X.XX=±0.25
 3. TERMINAL NUMBERS FOR REF ONLY
 4. RATING: 3 AMPS @ 120VAC OR 28VDC;
1 AMP @ 250VAC
 5. ELECTRICAL LIFE: 30,000 make-and-break cycles at full load.
 6. INSULATION RESISTANCE: 1,000 Mega-ohm min.
 7. DIELECTRIC STRENGTH: 1,000 V RMS @sea level.
 8. CONTACT RESISTANCE: 20mΩ-0hms max. Typical Initial @2-4VDC
 9. OPERATING TEMP.: -30°C to 85°C
 10. ▲ DENOTES CRITICAL PARAMETER.



REV.	ECN NO.	DESCRIPTION	DATE	CHKD
A	13153	RELEASED FOR PRODUCTION	5/23/03	AR

TITLE		SCALE	DATE	DR	DWG	REV
200MDP2T2B2M1QE		2:1	5/23/03	AR	T211090	A

E-SWITCH®

THE INFORMATION CONTAINED IN THIS DOCUMENT IS PROPRIETARY TO E-SWITCH AND IS NOT TO BE COPIED OR TRANSFERRED