

Excellent Integrated System Limited

Stocking Distributor

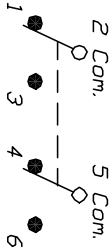
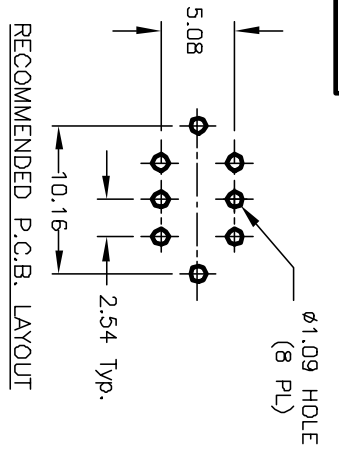
Click to view price, real time Inventory, Delivery & Lifecycle Information:

[E-Switch](#)
[200MDP2T3B6VS2RE](#)

For any questions, you can email us directly:

sales@integrated-circuit.com

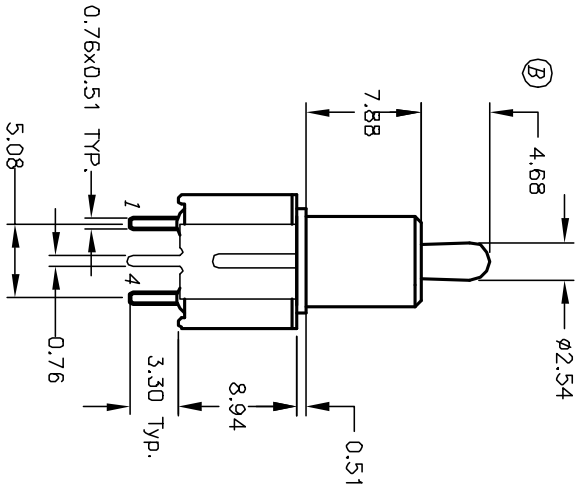
SHEET OF



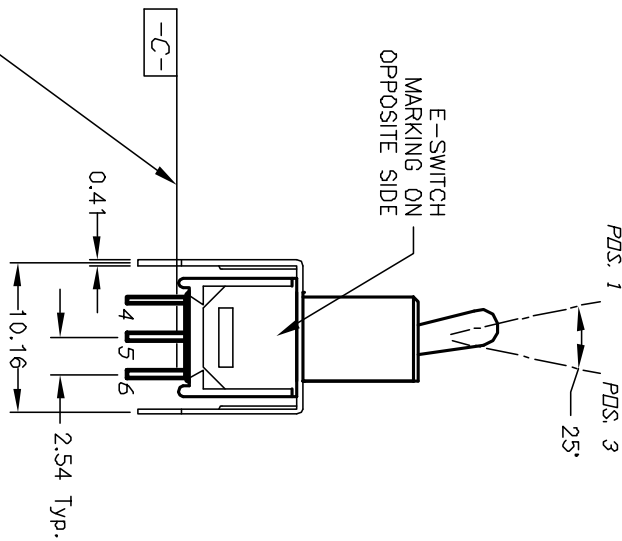
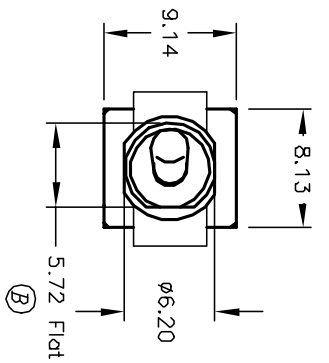
| SWITCH FUNCTION | | |
|-----------------|--------|----------|
| POS. 1 | POS. 2 | POS. 3 |
| DN | NONE | (DN) |
| 2-3, 5-6 | OPEN | 2-1, 5-4 |

NOTES:

1. ALL DIMENSIONS IN MM
2. GENERAL TOLERANCE: X.X=±0.4
X.XX=±0.25
3. TERM. NOS. FOR REF. ONLY
4. CONTACT RATING: 0.4 (VA) max. @20 VAC or DC max.
5. FIXED TERMINAL & MOVING CONTACT: Cu alloy w/ Gold plate over Ni plate.
6. CONTACT RESISTANCE: 20 MILLI OHM initial @2-4VDC 100mA for Ag & Au
7. ELECTRIC LIFE: 30,000 make-and-break cycles at full load.
8. INSULATION RESISTANCE: 1,000 M ohm min.
9. DIELECTRIC STRENGTH: 1,000 V RMS @sea level.
10. OPERATING TEMP.: -30°C to 85°C



▲ NO EPOXY ON TERM. BELOW THIS SURFACE



| | | | | |
|--|---------------|-----------------------------|-------------|----------|
| REV. B | ECN NO. 11591 | ACTUATOR WAS 508, REV NOTES | DATE 8/2/01 | CHKD CJB |
| | | DESCRIPTION DESCRIPTION | | |
| THE INFORMATION CONTAINED IN THIS DOCUMENT IS PROPRIETARY TO E-SWITCH AND IS NOT TO BE COPIED OR TRANSMITTED | | | | |

| | | | | | | | | | | | |
|-------|-------------------------|-------|-----|------|---------|----|-----|-----|---------|-----|---|
| TITLE | 200 MDP-2 T3 B6 VS2 R E | SCALE | 2:1 | DATE | 1/10/01 | DR | CJB | DWG | T221028 | REV | B |
|-------|-------------------------|-------|-----|------|---------|----|-----|-----|---------|-----|---|

E-SWITCH®