

Excellent Integrated System Limited

Stocking Distributor

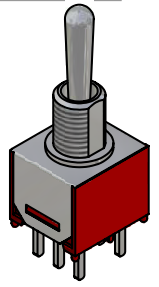
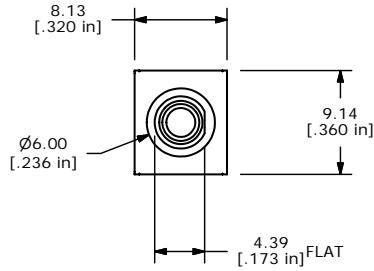
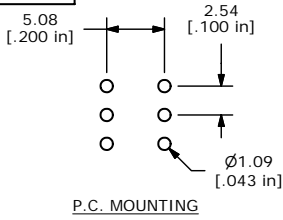
Click to view price, real time Inventory, Delivery & Lifecycle Information:

[E-Switch](#)
[200MDP3T1B1M2QEH](#)

For any questions, you can email us directly:

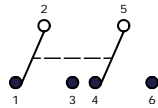
sales@integrated-circuit.com

SHEET 1 OF 1

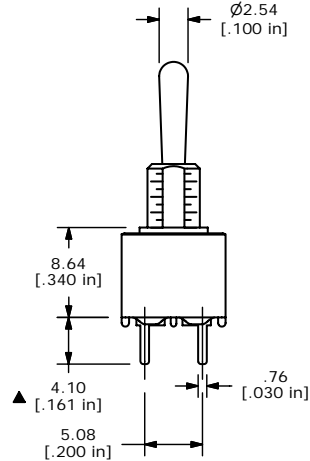
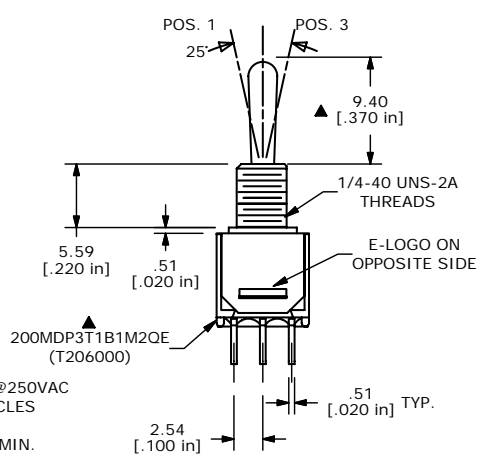


ISOMETRIC

SWITCH FUNCTION		
POS. 1	POS. 2	POS. 3
ON	OFF	ON
2-3, 5-6	OPEN	2-1, 5-4



- NOTE:
- ALL DIMENSIONS IN MM [INCH]
 - GENERAL TOLERANCE: X, X=±0.4
X, XX=±0.25
 - TERMINAL NUMBERS FOR REF ONLY
 - PLATING MATERIAL: SILVER
 - RATING: 3AMPS @120VAC OR 28VDC, 1AMP @250VAC
 - ELECTRIC LIFE: 30,000 MAKE-AND-BREAK CYCLES AT FULL LOAD.
 - INSULATION RESISTANCE: 1,000 MEGA-OHM MIN.
 - DIELECTRIC STRENGTH: 1,000 V RMS @SEA LEVEL.
 - OPERATING TEMP.: -30°C to 85°C
 - HARDWARE TO BE SHIPPED BULK
T200001 - HEXNUT - QTY 2
T200000 - LOCKWASHER - QTY 1
T200002 - LOCKRING - QTY 1
 - ▲ DENOTES CRITICAL PARAMETER.
 - 2002/95/EC (ROHS) COMPLIANT



B	15613	CHANGE HEX NUT, ADD ROHS NOTE	12/16/05	PH
A	14980	RELEASED FOR PRODUCTION	6/6/05	JB
REV	PCR NO	DESCRIPTION	DATE	BY

E-SWITCH®

TITLE 200MDP3T1B1M2QE

SCALE 2:1 DATE 6/6/2005 DR JB DWG ST206000 REV B

THE INFORMATION CONTAINED IN THIS DOCUMENT IS PROPRIETARY TO E-SWITCH AND IS NOT TO BE COPIED OR TRANSFERRED