

Excellent Integrated System Limited

Stocking Distributor

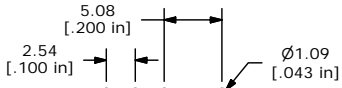
Click to view price, real time Inventory, Delivery & Lifecycle Information:

[E-Switch](#)
[200MSP1T1B1M7QEH](#)

For any questions, you can email us directly:

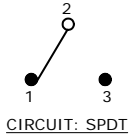
sales@integrated-circuit.com

SHEET 1 OF 1

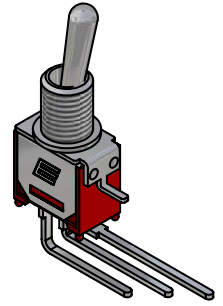
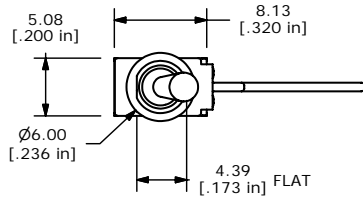


P.C. MOUNTING

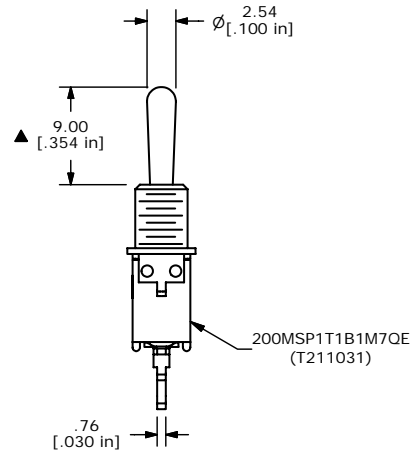
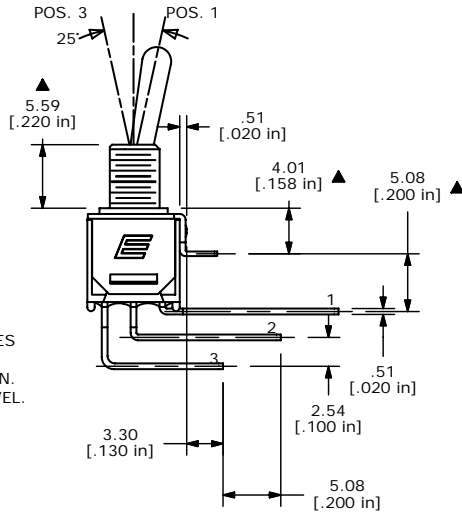
SWITCH FUNCTION		
POS. 1	POS. 2	POS. 3
ON	NONE	ON
2-3	N/A	2-1



- NOTE:
1. ALL DIMENSIONS IN MM [INCH]
 2. GENERAL TOLERANCE: X.X=±0.4
X.XX=±0.25
 3. TERMINAL NUMBERS FOR REF ONLY
 - ▲ 4. PLATING MATERIAL: SILVER
 5. RATING: 3A @120VAC, 1A @250VAC
 6. ELECTRIC LIFE: 30,000 MAKE-AND-BREAK CYCLES AT FULL LOAD.
 7. INSULATION RESISTANCE: 1,000 MEGA-OHM MIN.
 8. DIELECTRIC STRENGTH: 1,000 V RMS @SEA LEVEL.
 9. OPERATING TEMP.: -30°C to 85°C
 - ▲ 10. HARDWARE TO BE SHIPPED BULK
T200001 - HEXNUT - QTY 2
T200000 - LOCKWASHER - QTY 1
T200002 - LOCKRING - QTY 1
 11. ▲ DENOTES CRITICAL PARAMETER.



ISOMETRIC



200MSP1T1B1M7QE (T211031)

C	16058	UPDATE DIMS AND SWITCH FUNCTION	5/30/06	CT
B	15590	CHANGE HEX NUT FROM T200015	12/6/05	PH
A	14924	RELEASED FOR PRODUCTION	5/25/05	JB
REV	PCR NO	DESCRIPTION	DATE	BY

THE INFORMATION CONTAINED IN THIS DOCUMENT IS PROPRIETARY TO E-SWITCH AND IS NOT TO BE COPIED OR TRANSFERRED



TITLE 200MSP1T1B1M7QE

SCALE 2:1	DATE 5/25/2005	DR JB	DWG ST211031	REV C
-----------	----------------	-------	--------------	-------