

Excellent Integrated System Limited

Stocking Distributor

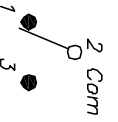
Click to view price, real time Inventory, Delivery & Lifecycle Information:

[E-Switch](#)
[200MSP1T1B2M7RE](#)

For any questions, you can email us directly:

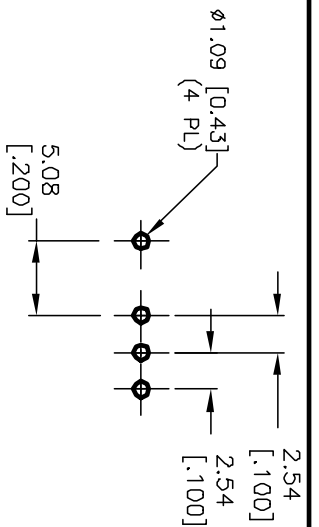
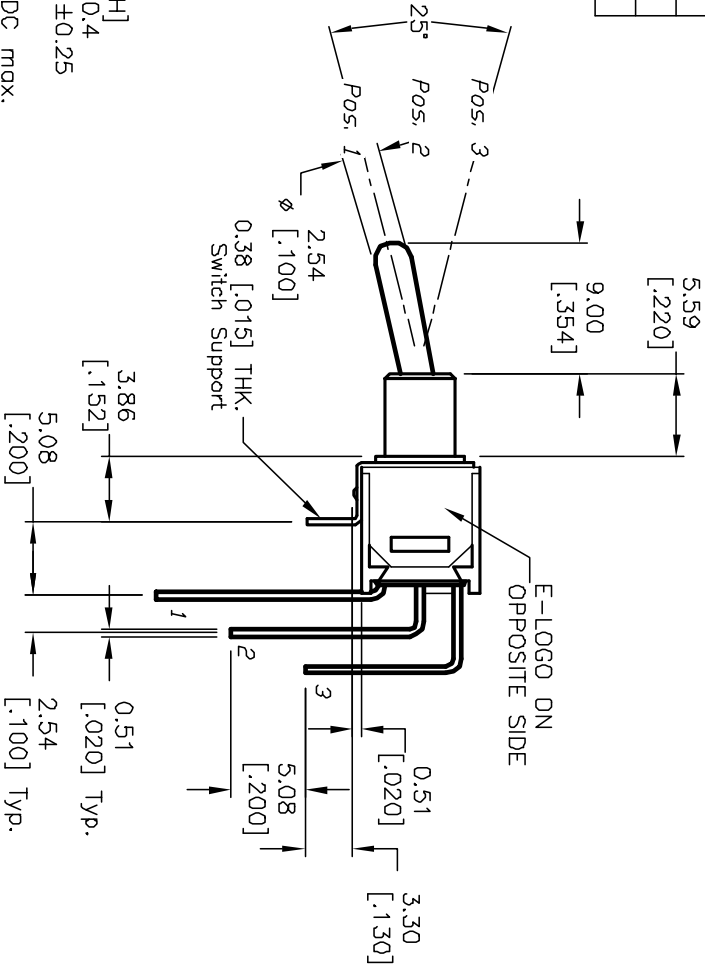
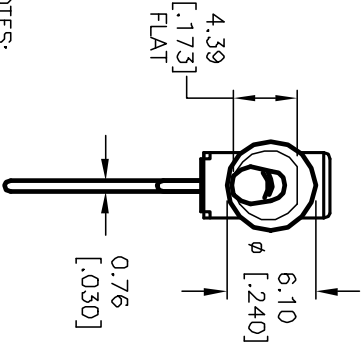
sales@integrated-circuit.com

SHEET OF

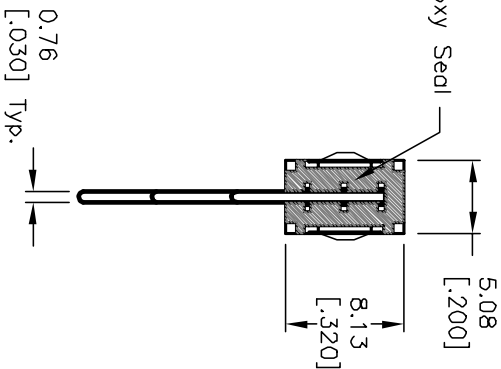


CIRCUIT: SPDT
 CONTACT CONFIGURATION

SWITCH FUNCTION		
POS. 1	POS. 2	POS. 3
DN	NONE	DN
2-3	OPEN	2-1



RECOMMENDED P.C.B. LAYOUT



NOTES:

1. ALL DIMENSIONS IN MM [INCH]
2. GENERAL TOLERANCE: X.X=±0.4 X.XX=±0.25
3. TERM. NOS. FOR REF. ONLY
4. RATING: 0.4VA @20V AC or DC max.
5. FIXED TERM. MOVING CONTACT:
Copper Alloy w/Gold plate
over Nickel plate
6. ELECTRICAL LIFE: 30,000 make-and-break cycle at full load.
7. DIELECTRIC STRENGTH: 1,000 V RMS @sea level.
8. OPERATING TEMP.: -30°C to 85°C
9. ▲ DESIGNATE MAJOR FEATURE:

REV. A	ECN No. 12508	RELEASED	10/23/02	CJB
		DESCRIPTION	DATE	CHKD
		THE INFORMATION CONTAINED IN THIS DOCUMENT IS PROPRIETARY TO E-SWITCH AND IS NOT TO BE COPIED OR TRANSMITTED		

TITLE	SCALE	DATE	DR	DWG	REV
200 MSP-1 T1 B2 M7 R E (GOLD CONTACTS)	2:1	10/23/02	CJB	T211098	A

E-SWITCH®