

Excellent Integrated System Limited

Stocking Distributor

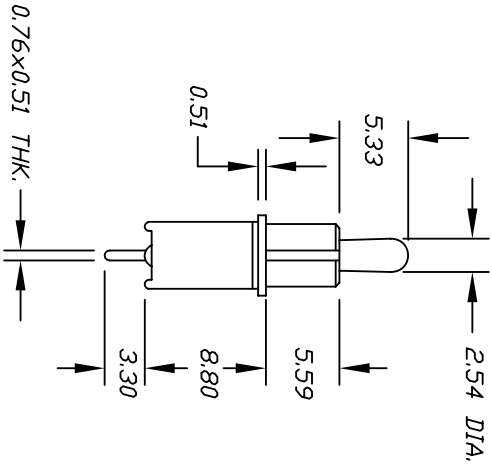
Click to view price, real time Inventory, Delivery & Lifecycle Information:

[E-Switch](#)
[200MSP1T2B4M2QE](#)

For any questions, you can email us directly:

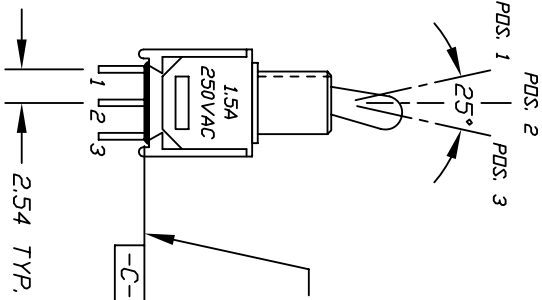
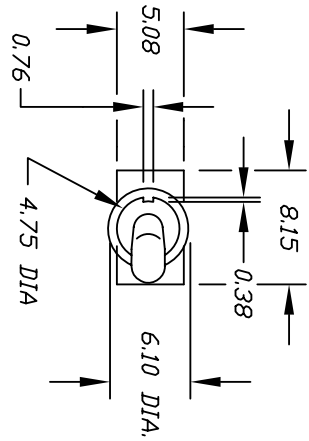
sales@integrated-circuit.com

SHEET 0F

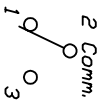


NOTES:

1. ALL DIMENSIONS IN MM
2. TERM. NOS. FOR REF ONLY



NO EPOXY ON TERMINALS
BELOW THIS SURFACE

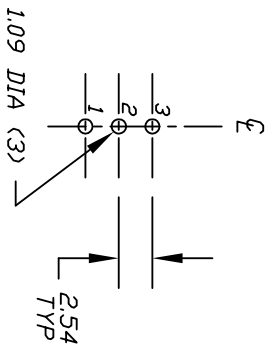


CONTACT CONFIGURATION

SPDT

SWITCH FUNCTION		
POS. 1	POS. 2	POS. 3
DN	NONE	DN
2-3	OPEN	2-1

P.C.B. MOUNTING HOLES



REV.	DESCRIPTION	DATE	CHKD
A	RELEASED FOR PRODUCTION		

THE INFORMATION CONTAINED IN THIS DOCUMENT IS UNCLASSIFIED EXCEPT WHERE SHOWN OTHERWISE

TOLERANCES	
0.0	±0.4
0.00	±0.25

TITLE		SCALE	DATE	DR	DWG	REV
200 MSP-1 T2 B4 M2 Q E		2:1	8/15/96	MM	T211024	A

E-SWITCH