

Excellent Integrated System Limited

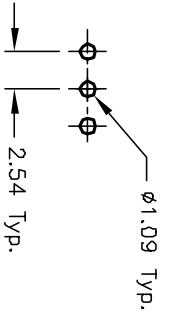
Stocking Distributor

Click to view price, real time Inventory, Delivery & Lifecycle Information:

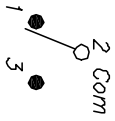
[E-Switch](#)
[200MSP1T4B3M2QE](#)

For any questions, you can email us directly:

sales@integrated-circuit.com

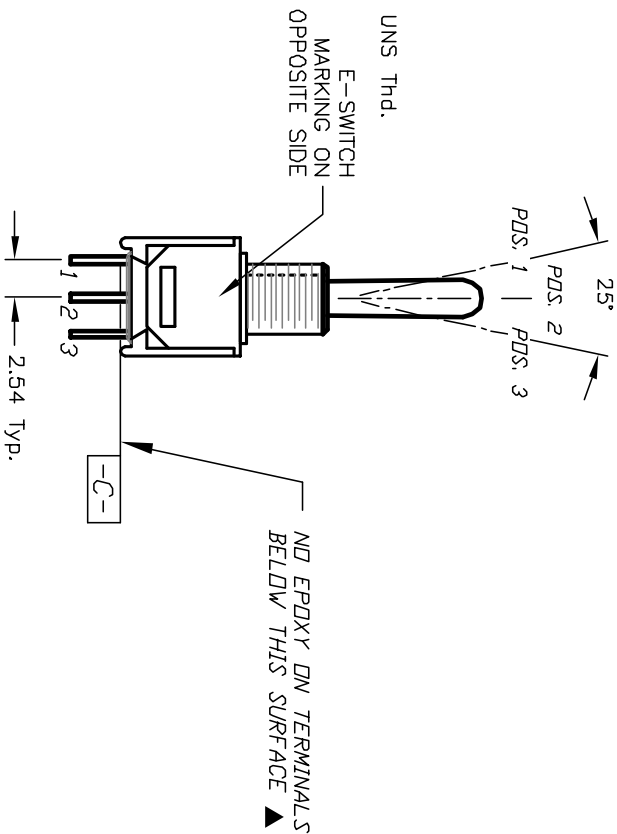
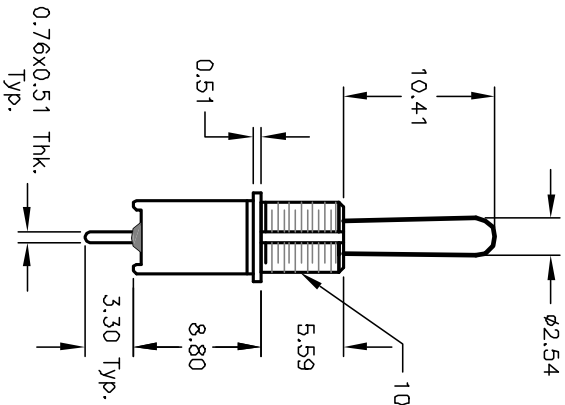


RECOMMENDED P.C.B. LAYOUT



CIRCUIT: SPDT
CONTACT CONFIGURATION

SWITCH FUNCTION		
PDS. 1	PDS. 2	PDS. 3
2-3	OPEN	2-1



NOTES:

1. ALL DIMENSIONS IN MM
2. GENERAL TOLERANCE: X,X=±0.4
X,XX=±0.25
3. TERM. NOS. FOR REF. ONLY
4. CONTACT RATING: 3A @120VAC OR 28VDC, 1A @250VAC
5. FIXED TERMINAL & MOVING CONTACT: Copper Alloy w/Silver Plate
6. ELECTRIC LIFE: 30,000 make-and-break cycles at full load.
7. INSULATION RESISTANCE: 1,000 M ohm min.
8. DIELECTRIC STRENGTH: 1,000 V RMS @sed level.
9. OPERATING TEMP. -30°C to 85°C
10. DESIGNATE MAJOR DIMENSION

REV.	ECN No.	DESCRIPTION	DATE	CHKD
A	12857	RELEASED FOR PRODUCTION	2/27/03	CJB
THE INFORMATION CONTAINED IN THIS DOCUMENT IS PROPRIETARY TO E-SWITCH AND IS NOT TO BE COPIED OR TRANSMITTED				

TITLE		SCALE		DATE	DR	DWG	REV
200 MSP-1 T4 B3 M2 Q E		2:1		--	--	T211014	A
E-SWITCH®							