

Excellent Integrated System Limited

Stocking Distributor

Click to view price, real time Inventory, Delivery & Lifecycle Information:

[E-Switch](#)
[200MSP2T1B6M7RE](#)

For any questions, you can email us directly:

sales@integrated-circuit.com

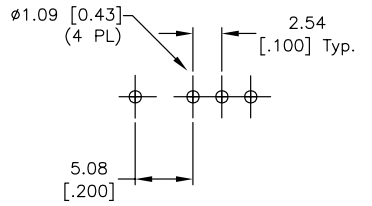
SHEET 1 OF 1



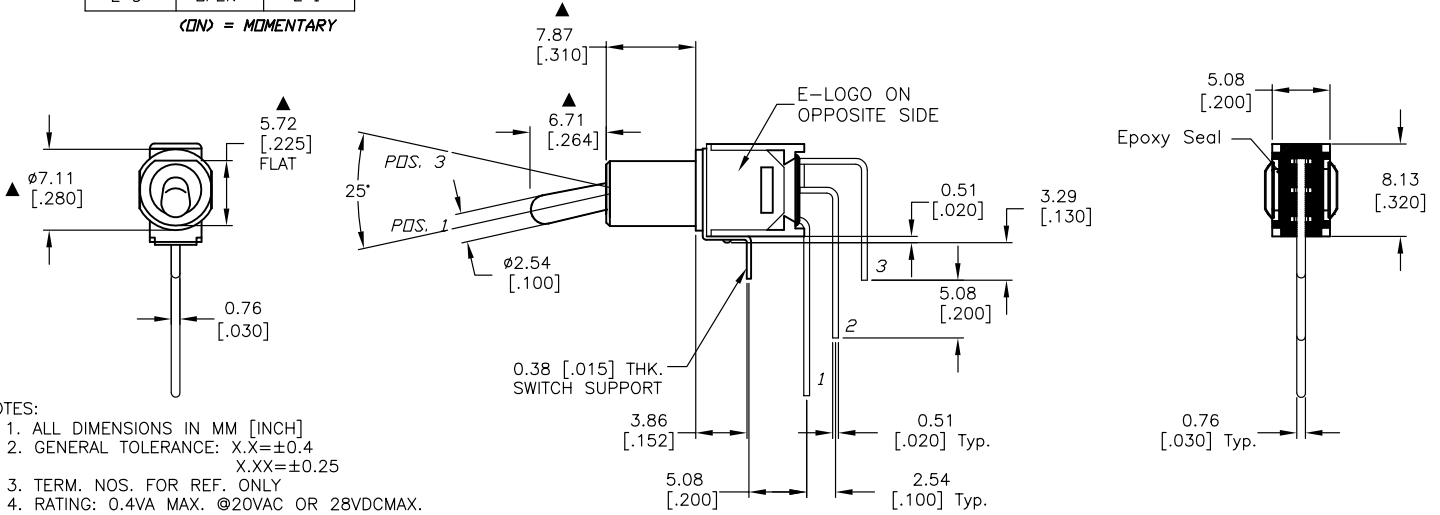
CIRCUIT: SPDT
CONTACT CONFIGURATION

SWITCH FUNCTION		
PDS. 1	PDS. 2	PDS. 3
ON	NONE	ON
2-3	OPEN	2-1

<ON> = MOMENTARY



RECOMMENDED P.C.B. LAYOUT



- NOTES:
1. ALL DIMENSIONS IN MM [INCH]
 2. GENERAL TOLERANCE: X.X=±0.4
X.XX=±0.25
 3. TERM. NOS. FOR REF. ONLY
 4. RATING: 0.4VA MAX. @20VAC OR 28VDCMAX.
 5. FIXED TERMINAL & MOVING CONTACT: COPPER ALLOY
W/GOLD PLATE OVER NICKEL PLATE.
 6. ELECTRICAL LIFE: 30,000 MAKE-AND-BREAK CYCLE
AT FULL LOAD.
 7. DIELECTRIC STRENGTH: 1,000 V RMS @SEA LEVEL.
 8. OPERATING TEMP.: -30°C to 85°C
 9. ▲ DENOTES CRITICAL PARAMETER.

E-SWITCH®

REV.	ECN No.	DESCRIPTION	DATE	CHKD
A	14137	RELEASED FOR PRODUCTION	7/2/04	AR

TITLE				
200MSP2T1B6M7RE				
SCALE	DATE	DR	DWG	REV
2:1	7/2/04	AR	T212054	A

THE INFORMATION CONTAINED IN THIS DOCUMENT IS PROPRIETARY TO E-SWITCH AND IS NOT TO BE COPIED OR TRANSFERRED