

## Excellent Integrated System Limited

Stocking Distributor

Click to view price, real time Inventory, Delivery & Lifecycle Information:

[E-Switch](#)  
[200MSP4T2B4M2RE](#)

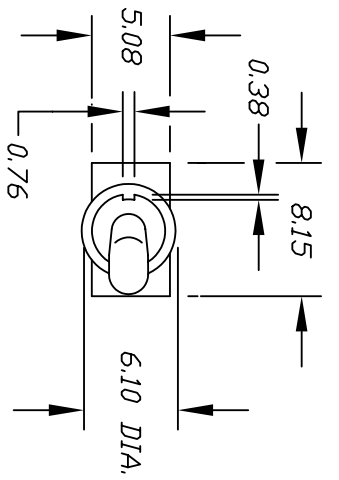
For any questions, you can email us directly:

[sales@integrated-circuit.com](mailto:sales@integrated-circuit.com)

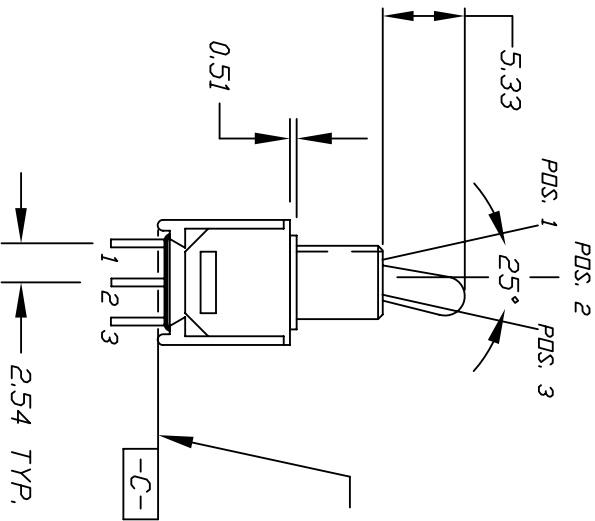
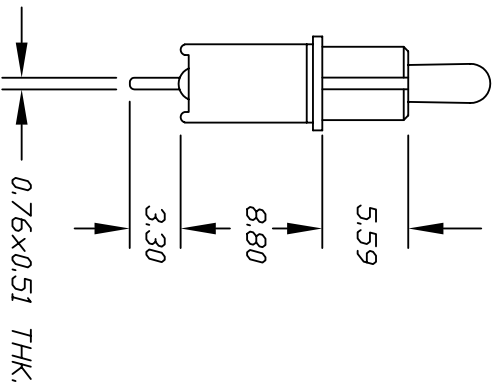
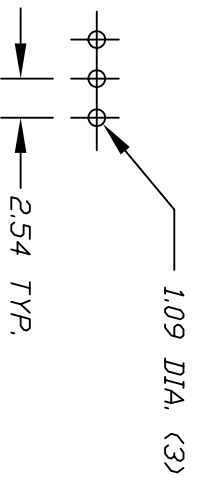
**CONTACT CONFIGURATION**

SWITCH FUNCTION		
POS. 1	POS. 2	POS. 3
(DN)	OFF	(DN)
2-3	OPEN	2-1

( ) =Momentary

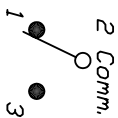


**RECOMMEND P.C.B. LAYOUT**



NO EPOXY ON TERMINALS  
 BELOW THIS SURFACE ▲

**CIRCUIT: SPDT**



**NOTES:**

- ALL DIMENSIONS IN MM
- GENERAL TOLERANCE: X.X=±0.4  
X:XX=±0.25
- TERMINAL NUMBERS FOR REF ONLY.
- RATING: 0.4VA @ 20VAC ORDC MAX.
- ELECTRICAL LIFE: 30,000 CYCLES
- INSULATION RESISTANCE: 1,000 MEGA Ω
- OPERATING TEMPERATURE: -30°C TO 85°C
- 2002/95/EC (ROHS) COMPLIANT

**E-SWITCH®**

REV.	ECN No.	DESCRIPTION	DATE	CHKD
B	15881	UPDATE NOTES	3/21/06	PML
A	10930	RELEASED FOR PRODUCTION	9/1/00	PML

SCALE	DATE	DR	DWG	REV
1:1	9/1/00	PML	T211063	B

THE INFORMATION CONTAINED IN THIS DOCUMENT IS PROPRIETARY TO E-SWITCH AND IS NOT TO BE COPIED OR TRANSFERRED

TITLE: 200 MSP-4 T2 B4 M2 R E