

Excellent Integrated System Limited

Stocking Distributor

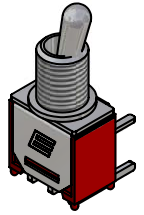
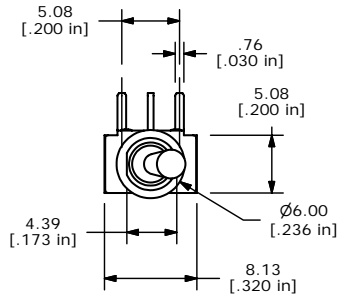
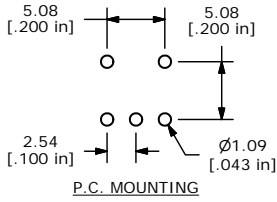
Click to view price, real time Inventory, Delivery & Lifecycle Information:

[E-Switch](#)
[200MSP5T2B1M6QEH](#)

For any questions, you can email us directly:

sales@integrated-circuit.com

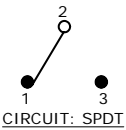
SHEET 1 OF 1



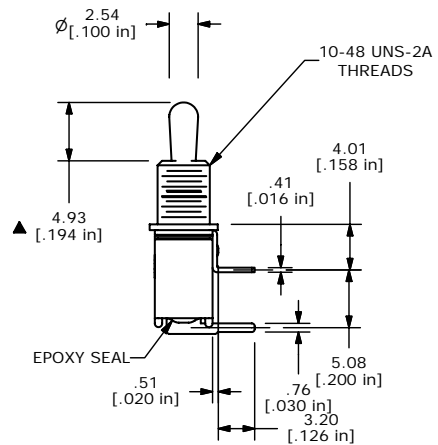
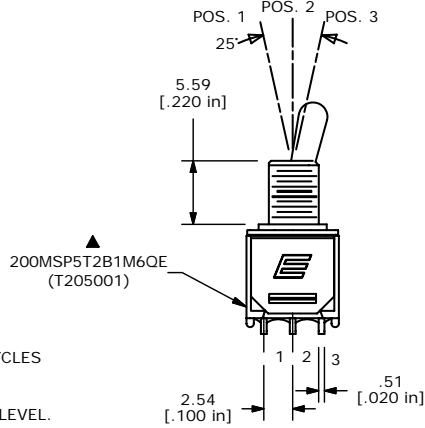
ISOMETRIC

SWITCH FUNCTION		
POS. 1	POS. 2	POS. 3
ON	OFF	(ON)
2-3	OPEN	2-1

(ON)=MOMENTARY



- NOTE:
- ALL DIMENSIONS IN MM [INCH]
 - GENERAL TOLERANCE: X.XX=±0.4
X.XXX=±0.25
 - TERMINAL NUMBERS FOR REF ONLY
 - PLATING MATERIAL: SILVER
 - RATING: 3A@ 120VAC OR 28VDC
1A@ 250VAC
 - ELECTRIC LIFE: 30,000 MAKE-AND-BREAK CYCLES
AT FULL LOAD.
 - INSULATION RESISTANCE: 1,000 MΩ MIN.
 - DIELECTRIC STRENGTH: 1,000 V RMS @SEA LEVEL.
 - OPERATING TEMP.: -30°C to 85°C
 - HARDWARE TO BE SHIPPED BULK
T200001 - HEXNUT - QTY 2
T200000 - LOCKWASHER - QTY 1
T200002 - LOCKRING - QTY 1
 - ▲ DENOTES CRITICAL PARAMETER.
 - 2002/95/EC (ROHS) COMPLIANT



B	15613	CHANGED HEX NUT, ADD ROHS NOTE	12/16/05	PH
A	15027	RELEASED FOR PRODUCTION	6/24/05	JB
REV	PCR NO	DESCRIPTION	DATE	BY

E-SWITCH®

TITLE 200MSP5T2B1M6QE

SCALE 2:1	DATE 6/24/2005	DR JB	DWG ST205001	REV B
-----------	----------------	-------	--------------	-------

THE INFORMATION CONTAINED IN THIS DOCUMENT IS PROPRIETARY TO E-SWITCH AND IS NOT TO BE COPIED OR TRANSFERRED