

Excellent Integrated System Limited

Stocking Distributor

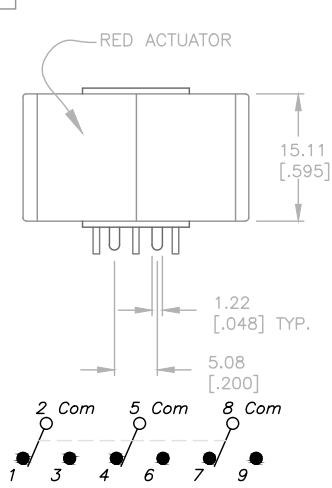
Click to view price, real time Inventory, Delivery & Lifecycle Information:

[E-Switch](#)
[3003P1J3REDM6QE](#)

For any questions, you can email us directly:

sales@integrated-circuit.com

SHEET OF

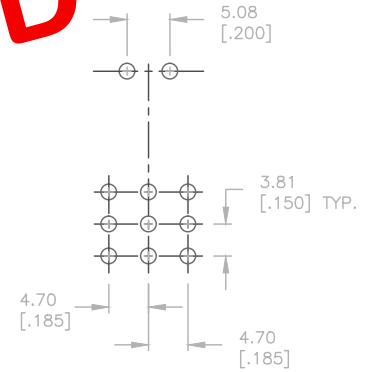
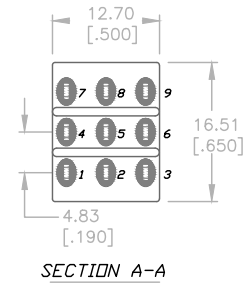
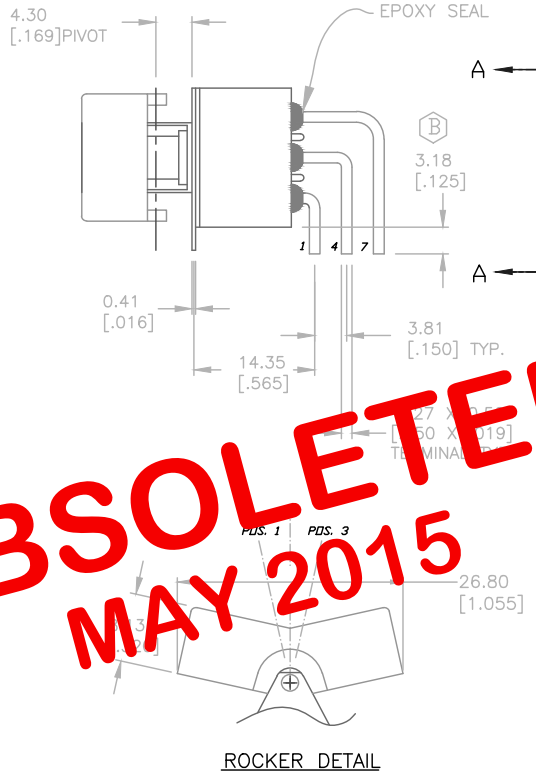


CIRCUIT: 3PDT

SWITCH FUNCTION		
PDS. 1	PDS. 2	PDS. 3
ON	NDNE	DN
2-3,5-6,8-9	OPEN	2-1,5-4,8-7

NOTES:

1. ALL DIMENSIONS IN MM [INCH]
2. GENERAL TOLERANCE: X.X=±0.4;
X.XX=±0.25
3. TERM. NOS. FOR REF. ONLY
4. CONTACT RATING: 5A @120VAC or 28VDC;
2A @250VAC
5. FIXED TERM/MOVING CONTACT:
COPPER ALLOY W/SILVER PLATE.
6. ELECTRICAL LIFE:
50,000 make-and-break cycles at full load.
7. INSULATION RESISTANCE: 1,000M ohm min.
8. DIELECTRIC STRENGTH: 1,000 V RMS @sea level
9. OPERATION TEMP.: -30°C to +85°C



OBSOLETE
MAY 2015

<table border="1"> <tr> <td>B</td> <td>18507</td> <td>ADD DIMENSION FOR TERMINAL LENGTH</td> <td>4/29/09</td> <td>BLR</td> </tr> <tr> <td>A</td> <td>12287</td> <td>RELEASED FOR PRODUCTION</td> <td>7/17/02</td> <td>CJB</td> </tr> <tr> <td>REV.</td> <td>ECN No.</td> <td>DESCRIPTION</td> <td>DATE</td> <td>CHKD</td> </tr> </table>					B	18507	ADD DIMENSION FOR TERMINAL LENGTH	4/29/09	BLR	A	12287	RELEASED FOR PRODUCTION	7/17/02	CJB	REV.	ECN No.	DESCRIPTION	DATE	CHKD	<small>P:\E2Engineering\STANDARD\3003REDM6QE-Switch Lead LODD FINAL_021099.dwg</small>				
B	18507	ADD DIMENSION FOR TERMINAL LENGTH	4/29/09	BLR																				
A	12287	RELEASED FOR PRODUCTION	7/17/02	CJB																				
REV.	ECN No.	DESCRIPTION	DATE	CHKD																				
TITLE					300 3P1 J3 RED M6 QE																			
SCALE		DATE		DR		DWG		REV																
1.5:1		4/29/09		BLR		T331026		B																

THE INFORMATION CONTAINED IN THIS DOCUMENT IS PROPRIETARY TO E-SWITCH AND IS NOT TO BE COPIED OR TRANSFERRED