

## Excellent Integrated System Limited

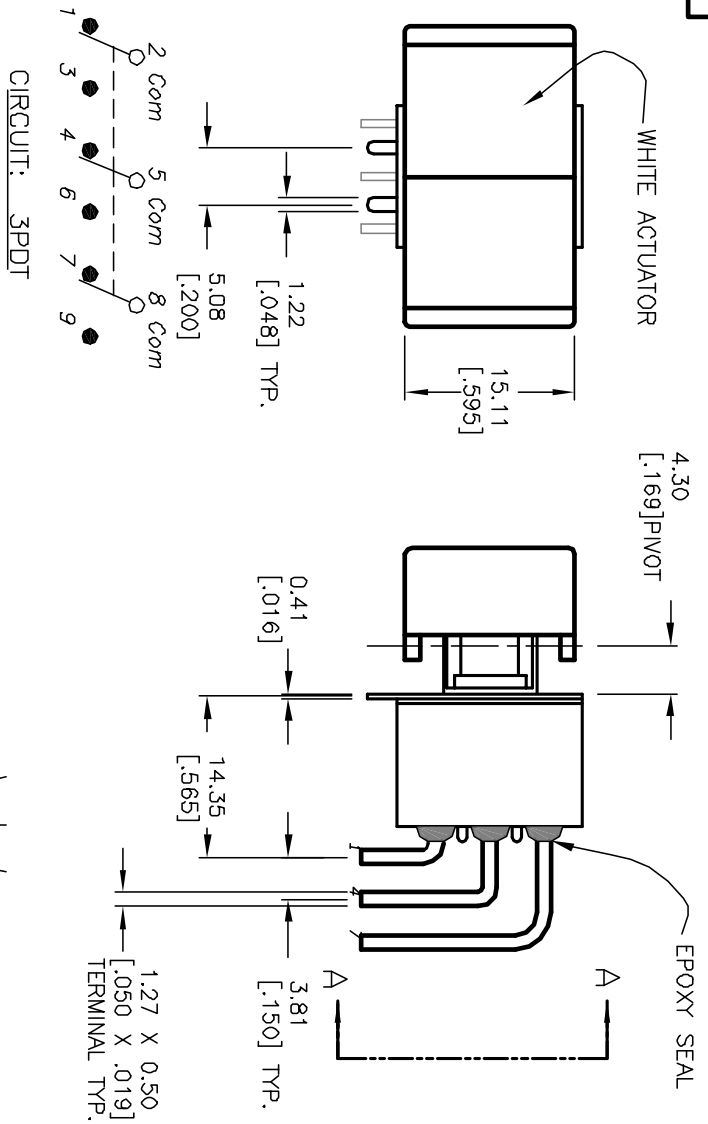
Stocking Distributor

Click to view price, real time Inventory, Delivery & Lifecycle Information:

[E-Switch](#)  
[3003P1J3WHTM6QE](#)

For any questions, you can email us directly:

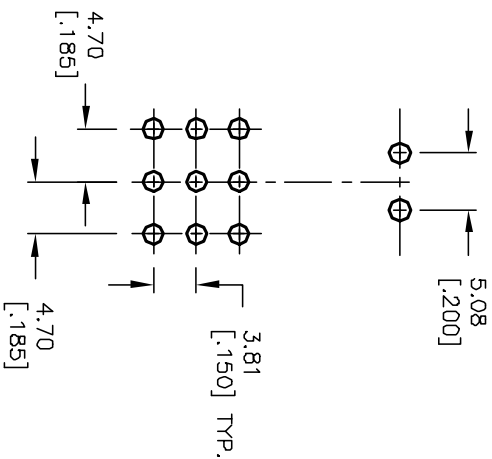
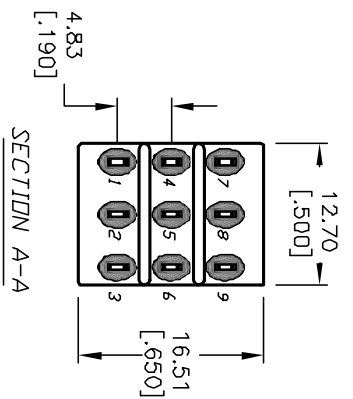
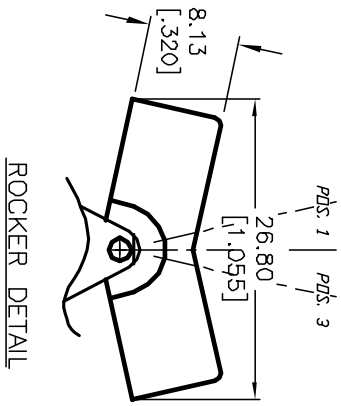
[sales@integrated-circuit.com](mailto:sales@integrated-circuit.com)



| SWITCH FUNCTION |        |             |  |
|-----------------|--------|-------------|--|
| PDS. 1          | PDS. 2 | PDS. 3      |  |
| DN              | NONE   | DN          |  |
| 2-3,5-6,8-9     | DPEN   | 2-1,5-4,8-7 |  |

NOTES:

1. ALL DIMENSIONS IN MM [INCH]
2. GENERAL TOLERANCE: X.X=±0.4; X.XX=±0.25
3. TERM. NOS. FOR REF. ONLY
4. CONTACT RATING: 5A @120VAC or 28VDC: 2A @250VAC
5. FIXED TERM./MOVING CONTACT: COPPER ALLOY W/SILVER PLATE.
6. ELECTRICAL LIFE: 50,000 make-and-break cycles at full load.
7. INSULATION RESISTANCE: 1,000M ohm min.
8. DIELECTRIC STRENGTH: 1,000 V RMS @sea level
9. OPERATION TEMP.: -30°C to +85°C



| REV. | ECN No. | DESCRIPTION             | DATE    | CHKD |
|------|---------|-------------------------|---------|------|
| A    | 12287   | RELEASED FOR PRODUCTION | 7/17/02 | CJB  |

| TITLE                | SCALE | DATE    | DR  | DWG     | REV |
|----------------------|-------|---------|-----|---------|-----|
| 300 3P1 J3 WHT M6 QE | 1.5:1 | 7/17/02 | CJB | T331025 | A   |

**E-SWITCH®**

THE INFORMATION CONTAINED IN THIS DOCUMENT IS PROPRIETARY TO E-SWITCH AND IS NOT TO BE COPIED OR TRANSMITTED