

Excellent Integrated System Limited

Stocking Distributor

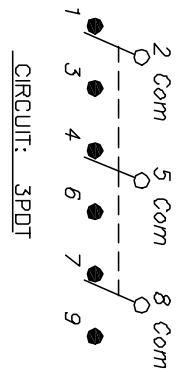
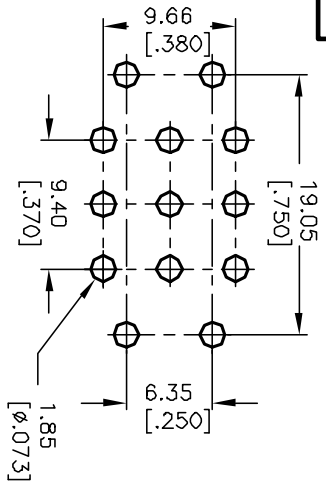
Click to view price, real time Inventory, Delivery & Lifecycle Information:

[E-Switch](#)
[3003P2J2BLKM2QE](#)

For any questions, you can email us directly:

sales@integrated-circuit.com

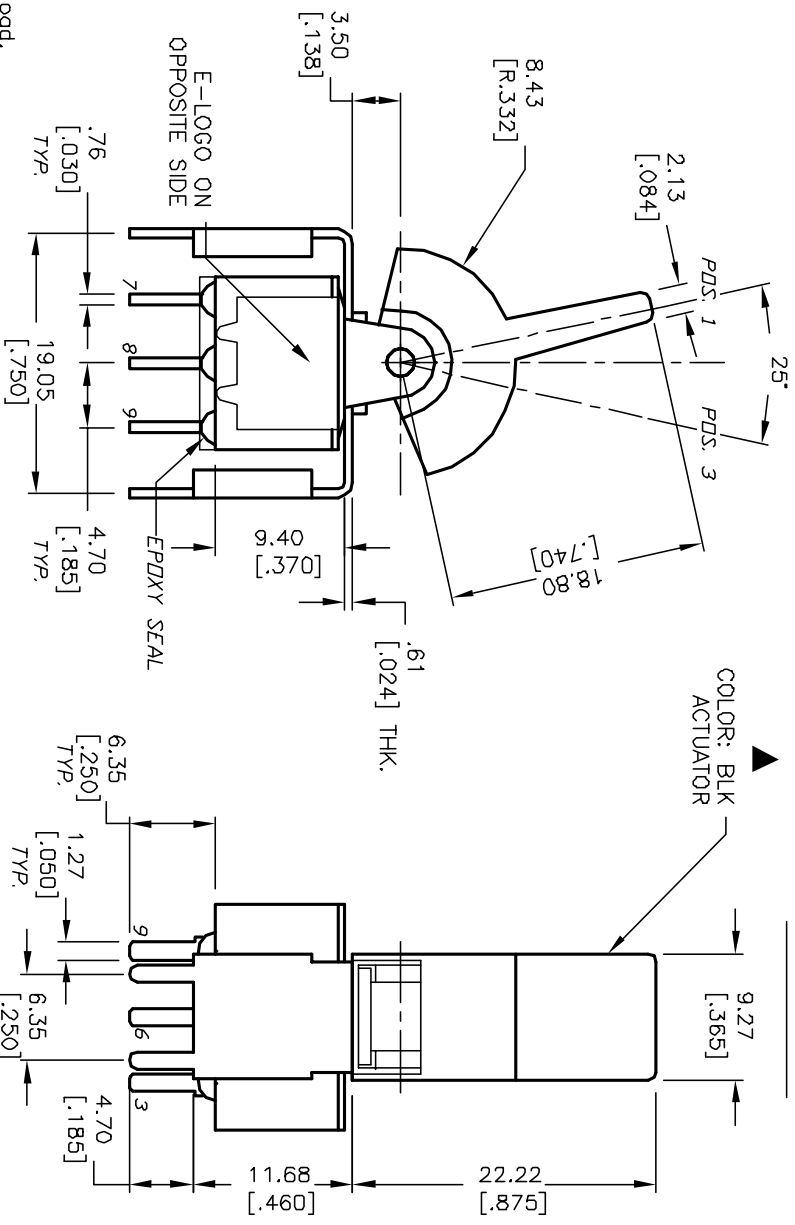
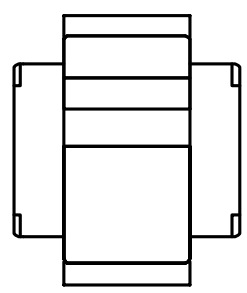
SHEET OF



SWITCH FUNCTION		
PDS. 1	PDS. 2	PDS. 3
CN	NONE	(CN)
2-3,5-6,8-9	DPEN	2-1,5-4,8-7

NOTES:

1. ALL DIMENSIONS IN MM [INCH]
2. GENERAL TOLERANCE: X.X=±0.4; X.XX=±0.25
3. TERM. NOS. FOR REF. ONLY
4. CONTACT RATING: 5A @120VAC or 28VDC; 2A @250VAC
5. FIXED TERM/MOVING CONTACT: COPPER ALLOY W/SILVER PLATE.
6. ELECTRICAL LIFE: 50,000 make-and-break cycles at full load.
7. INSULATION RESISTANCE: 1,000M ohm min.
8. DIELECTRIC STRENGTH: 1,000 V RMS @50 level
9. OPERATION TEMP: -30°C to +85°C
10. ▲ DENOTES CRITICAL PARAMETER.



REV. A	12954	RELEASED FOR PRODUCTION	3/25/03	AR
ECN No.		DESCRIPTION	DATE	CHKD

TITLE	3003P2J2BLKM2QE	DATE	3/25/03	DR	AR	DWG	T333005	REV	A
SCALE	2:1								

E-SWITCH®

THE INFORMATION CONTAINED IN THIS DOCUMENT IS PROPRIETARY TO E-SWITCH AND IS NOT TO BE COPIED OR TRANSMITTED