

## Excellent Integrated System Limited

Stocking Distributor

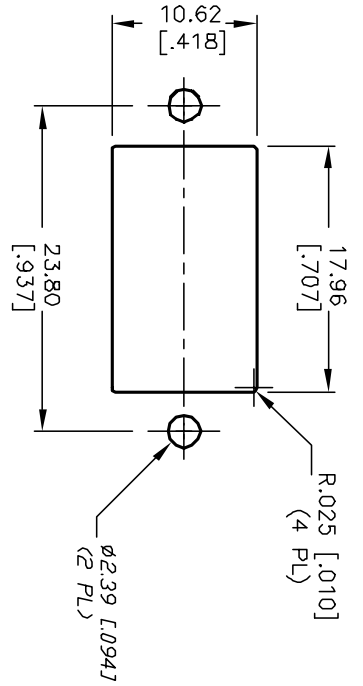
Click to view price, real time Inventory, Delivery & Lifecycle Information:

[E-Switch](#)  
[3003P2R2BLKM2QE](#)

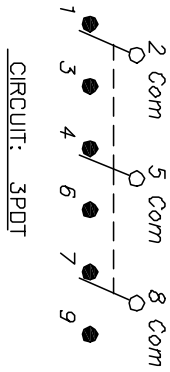
For any questions, you can email us directly:

[sales@integrated-circuit.com](mailto:sales@integrated-circuit.com)

SHEET OF



RECOMMENDED PANEL MOUNTING

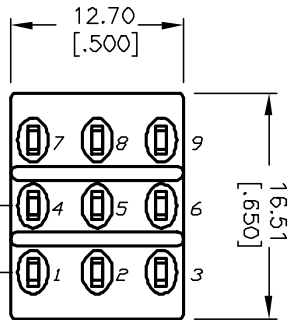
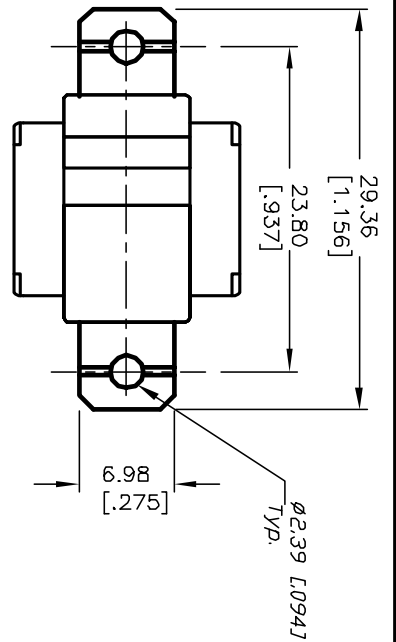


SWITCH FUNCTION		
PDS. 1	PDS. 2	PDS. 3
CLOSE	OPEN	CLOSE
2-3,5-6,8-9	OPEN	2-1,5-4,8-7

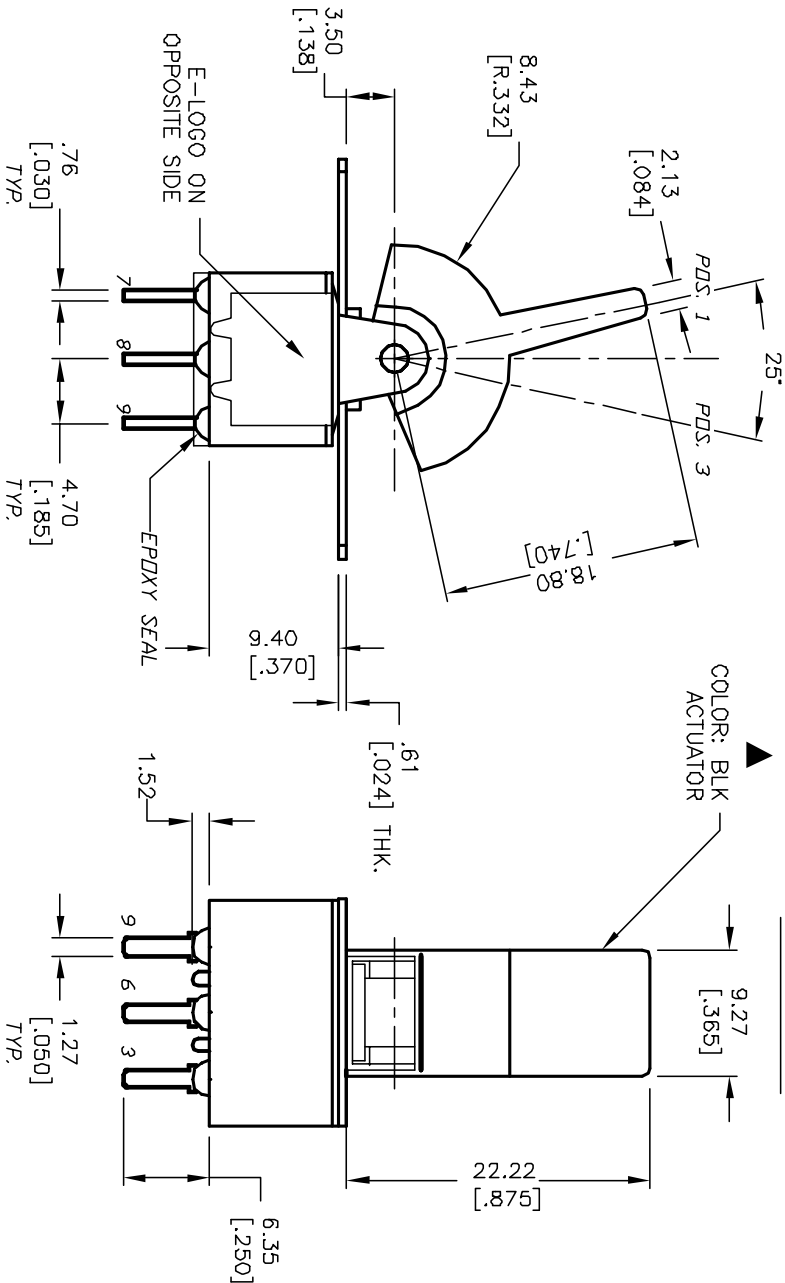
NOTES:

( ) = MOMENTARY

1. ALL DIMENSIONS IN MM [INCH]
2. GENERAL TOLERANCE: X.X=±0.4; X.XX=±0.25
3. TERM. NOS. FOR REF. ONLY
4. CONTACT RATING: 5A @120VAC or 28VDC; 2A @250VAC
5. FIXED TERM./MOVING CONTACT: COPPER ALLOY W/SILVER PLATE.
6. ELECTRICAL LIFE: 50,000 make-and-break cycles at full load.
7. INSULATION RESISTANCE: 1,000M ohm min.
8. DIELECTRIC STRENGTH: 1,000 V RMS @sea level
9. OPERATION TEMP.: -30°C to +85°C



BOTTOM VIEW



E-LOGO ON OPPOSITE SIDE

EPDXY SEAL

**E-SWITCH®**

300 3P2 R2 (BLK) M2 Q E

REV.	ECN No.	DESCRIPTION	DATE	CHKD	CJB
A	12067	RELEASED FOR PRODUCTION	4/15/02		CJB

TITLE	SCALE	DATE	DR	DWG	REV
300 3P2 R2 (BLK) M2 Q E	2:1	4/15/02	CJB	T333004	A

THE INFORMATION CONTAINED IN THIS DOCUMENT IS PROPRIETARY TO E-SWITCH AND IS NOT TO BE COPIED OR TRANSMITTED