

Excellent Integrated System Limited

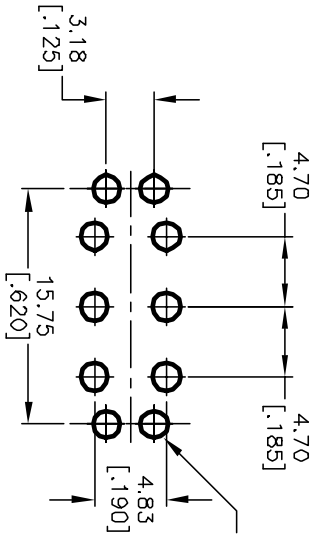
Stocking Distributor

Click to view price, real time Inventory, Delivery & Lifecycle Information:

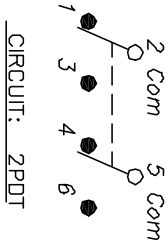
[E-Switch](#)
[300AWDP4J2VS2QE](#)

For any questions, you can email us directly:

sales@integrated-circuit.com



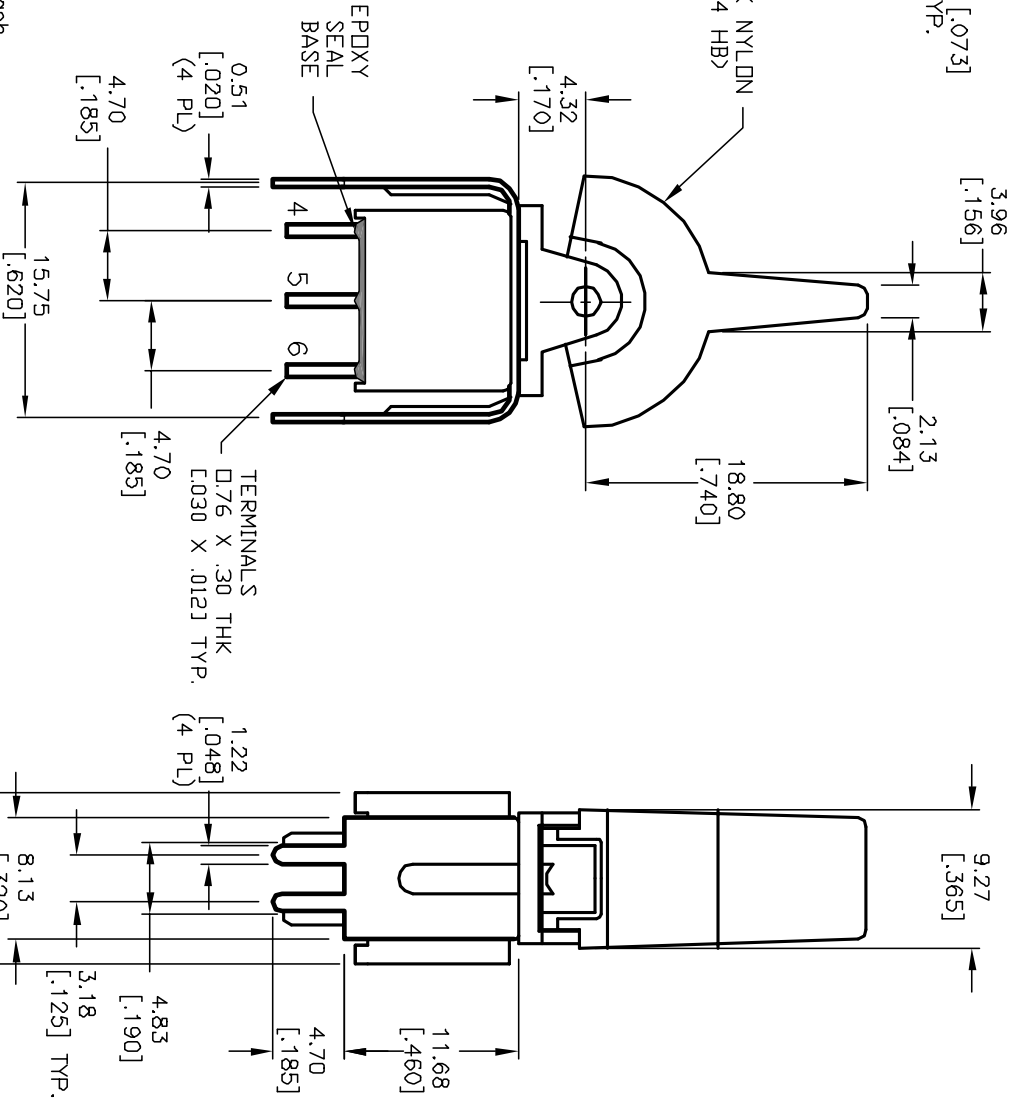
RECOMMENDED P.C.B. LAYOUT



SWITCH FUNCTION		
POS. 1	POS. 2	POS. 3
(DN)	OFF	(DN)
2-3-5-6	DPEN	2-1-5-4

NOTES:

1. ALL DIMENSIONS IN MM [INCH]
2. GENERAL TOLERANCE: X.X=±0.4
X.XX=±0.25
3. TERM. NOS. FOR REF. ONLY
4. RATING: 5A @120VAC OR 28VDC;
2A @250VAC
5. MATERIAL: FIXED TERMINAL & MOVING CONTACT
Copper Alloy w/SILVER PLATE over Gold flash.
6. CONTACT RESISTANCE: 10milli Ohms max initial
@2-4VDC, 100mA for AG & AU
7. ELECTRICAL LIFE: 30,000 make-and-break
cycles at full load.
8. INSULATION RESISTANCE: 1,000M ohm min.
9. DIELECTRIC STRENGTH: 1000V RMS @sea level
10. OPERATING TEMP.: -30°C to 85°C



E-SWITCH®

REV. A	12224	RELEASED FOR PRODUCTION	6/12/02	CJB
ECN No.		DESCRIPTION	DATE	CHKD

TITLE	300A WDP-4 J2 VS2 Q E	SCALE	2:1	DATE	6/12/02	DR	CJB	DWG	T302008	REV	A
-------	-----------------------	-------	-----	------	---------	----	-----	-----	---------	-----	---

THE INFORMATION CONTAINED IN THIS DOCUMENT IS PROPRIETARY TO E-SWITCH AND IS NOT TO BE COPIED OR TRANSMITTED