

Excellent Integrated System Limited

Stocking Distributor

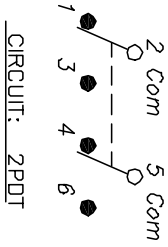
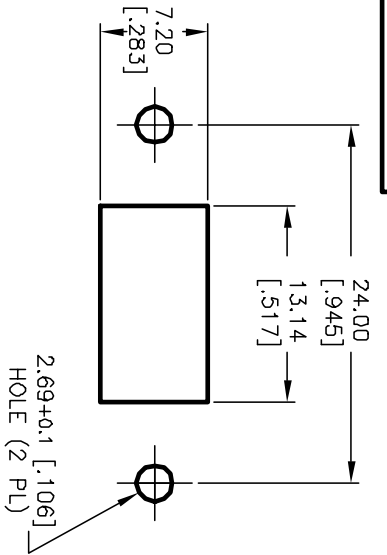
Click to view price, real time Inventory, Delivery & Lifecycle Information:

[E-Switch](#)
[300AWDP4R1M2QE](#)

For any questions, you can email us directly:

sales@integrated-circuit.com

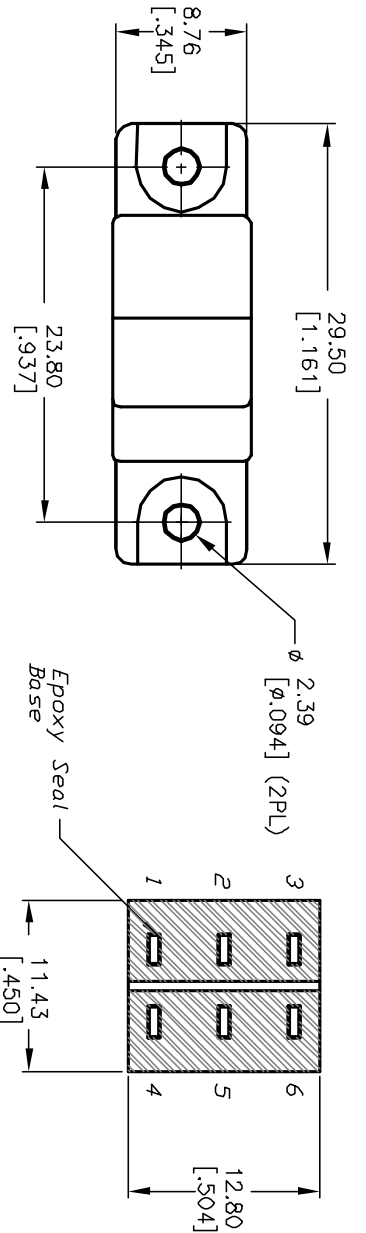
SHEET OF



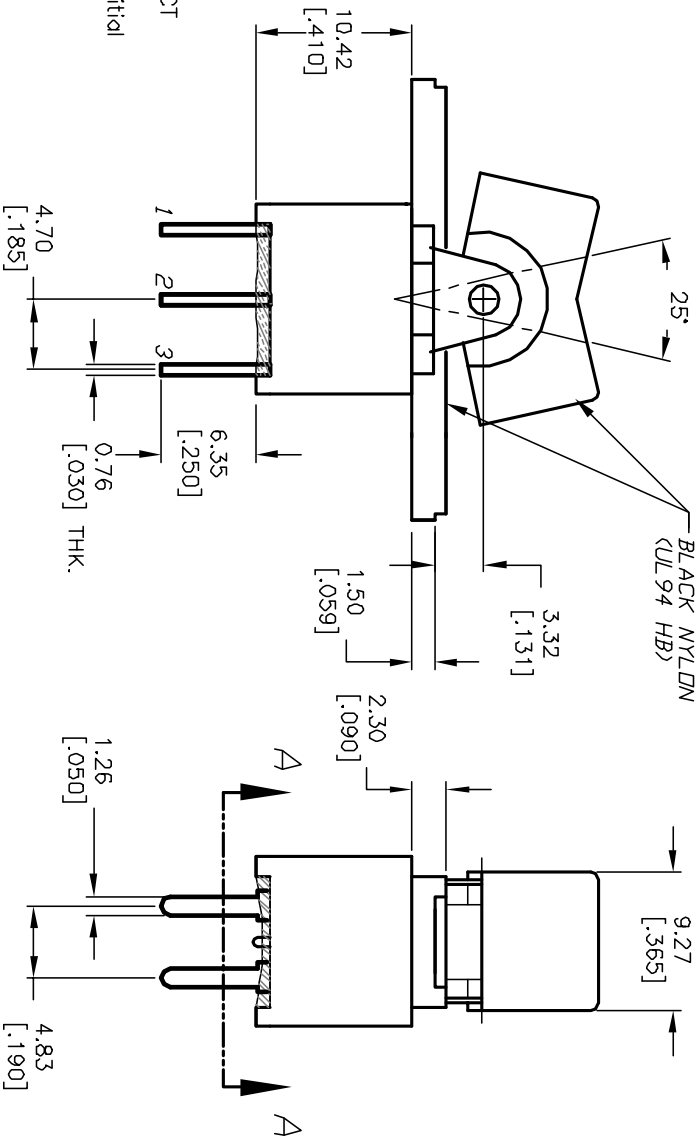
SWITCH FUNCTION		
PDS. 1	PDS. 2	PDS. 3
<DN >	DFF	<DN >
2-3-5-6	DPEN	2-1-5-4

NOTES:

1. ALL DIMENSIONS IN MM [INCH]
2. GENERAL TOLERANCE: X.X=±0.4
X.XX=±0.25
() =MDMENTARY
3. TERM. NOS. FOR REF. ONLY
4. RATING: 5A @120VAC OR 29VDC
2A @250VAC
5. MATERIAL: FIXED TERMINAL & MOVING CONTACT
Copper Alloy w/SILVER PLATE
6. CONTACT RESISTANCE: 10mILLI Ohms max initial
@2-4VDC, 100mA for AG & AU
7. ELECTRICAL LIFE: 30,000 make-and-break
cycles at full load.
8. INSULATION RESISTANCE: 1,000M ohm min.
9. DIELECTRIC STRENGTH: 1000V RMS @sea level
10. OPERATING TEMP.: -30°C to 85°C



PDS. 1 PDS. 3



REV.	ECN No.	DESCRIPTION	DATE	CHKD
A	12841	RELEASED FOR PRODUCTION	2/26/03	CB

TITLE	SCALE	DATE	DR	DWG	REV
300A WDP-4 R1 M2 Q E	2:1	2/26/03	CB	T302412	A

E-SWITCH®

THE INFORMATION CONTAINED IN THIS DOCUMENT IS PROPRIETARY TO E-SWITCH AND IS NOT TO BE COPIED OR TRANSMITTED