

Excellent Integrated System Limited

Stocking Distributor

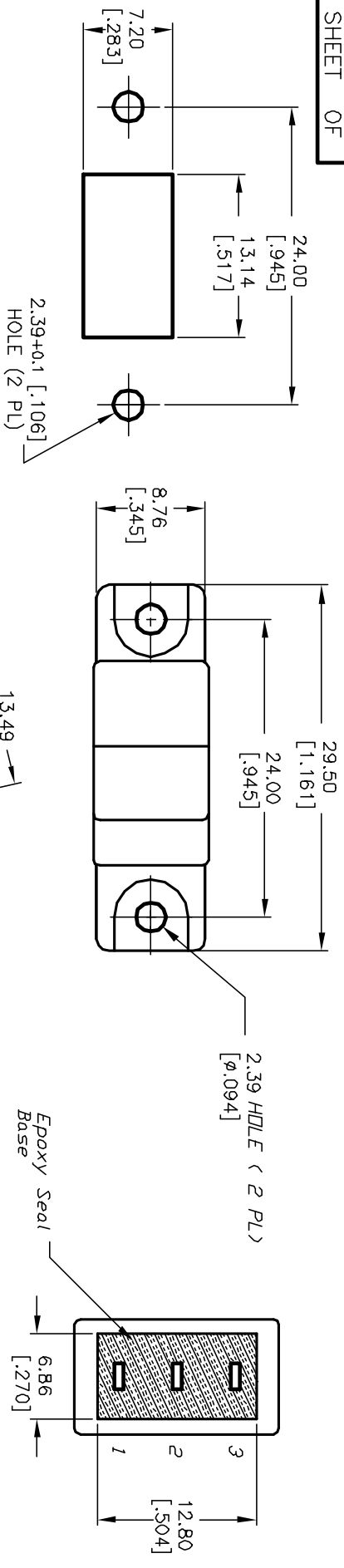
Click to view price, real time Inventory, Delivery & Lifecycle Information:

[E-Switch](#)
[300AWSP1R1M1RE](#)

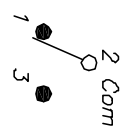
For any questions, you can email us directly:

sales@integrated-circuit.com

SHEET OF



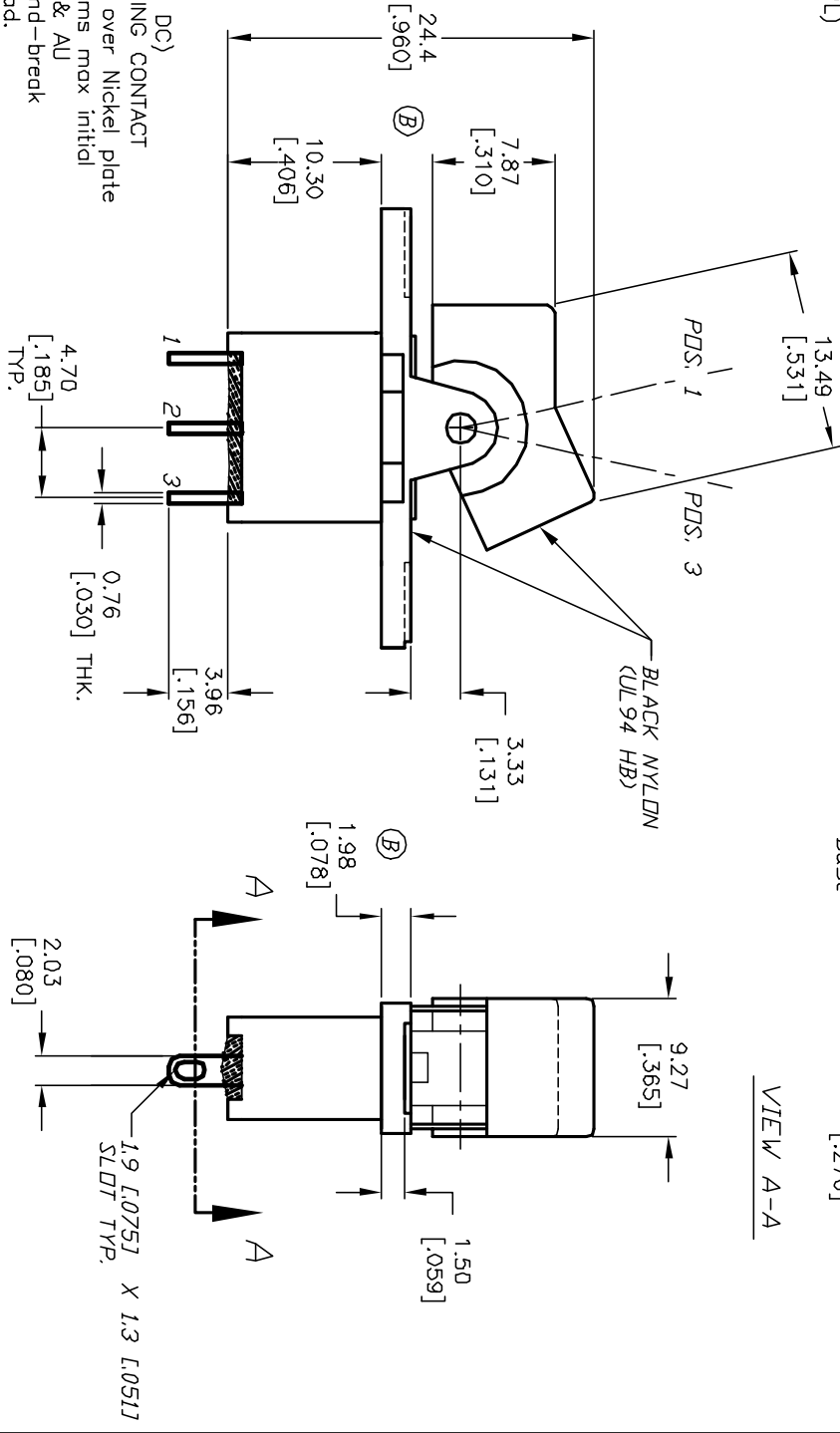
RECOMMENDED PANEL MOUNT



SWITCH FUNCTION		
PDS. 1	PDS. 2	PDS. 3
DN	NONE	DN
2-3	DPEN	2-1

NOTES:

1. ALL DIMENSIONS IN MM [INCH]
2. GENERAL TOLERANCE: X.XX=±0.4 X.XX=±0.25
3. TERM. NOS. FOR REF. ONLY
4. RATING: 0.4VA @20V max. (AC or DC)
5. MATERIAL: FIXED TERMINAL & MOVING CONTACT
Copper Alloy w/Gold plate over Nickel plate
6. CONTACT RESISTANCE: 10mΩ Ohms max initial
@2-4VDC, 100mA for AG & AU
7. ELECTRICAL LIFE: 30,000 make-and-break cycles at full load.
8. INSULATION RESISTANCE: 1,000M ohm min.
9. DIELECTRIC STRENGTH: 1000V RMS @sea level
10. OPERATING TEMP.: -30°C to 85°C



VIEW A-A

REV.	ECN No.	DESCRIPTION	DATE	CHKD
B	12016	REVISED DIMENSION, ADD DIM.	3/26/02	CB
A	11604	RELEASED FOR PRODUCTION	8/7/01	CB

TITLE	SCALE	DATE	DR	DWG	REV
300A WSP-1 R1 BLK M1 R E	2:1	8/7/01	CB	T301025	B

E-SWITCH®

THE INFORMATION CONTAINED IN THIS DOCUMENT IS PROPRIETARY TO E-SWITCH AND IS NOT TO BE COPIED OR TRANSMITTED