

Excellent Integrated System Limited

Stocking Distributor

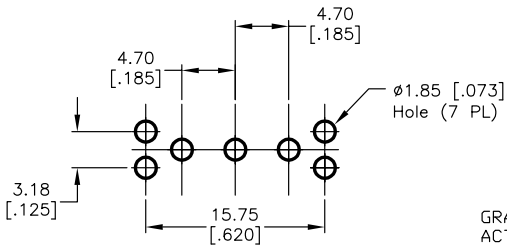
Click to view price, real time Inventory, Delivery & Lifecycle Information:

[E-Switch](#)
[300AWSP2J6BLKVS21RE](#)

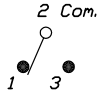
For any questions, you can email us directly:

sales@integrated-circuit.com

SHEET OF



RECOMMENDED P.C.B. LAYOUT



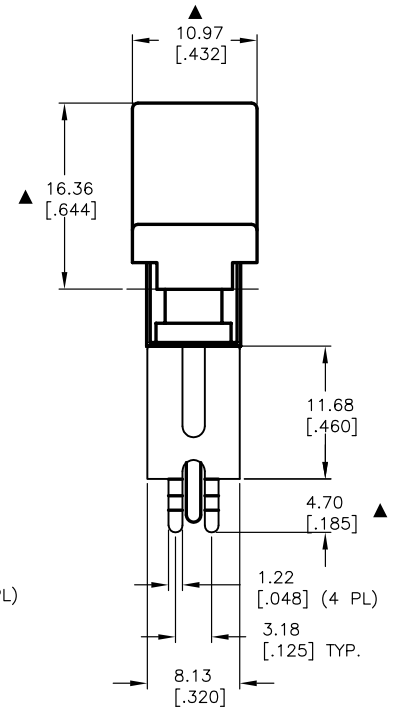
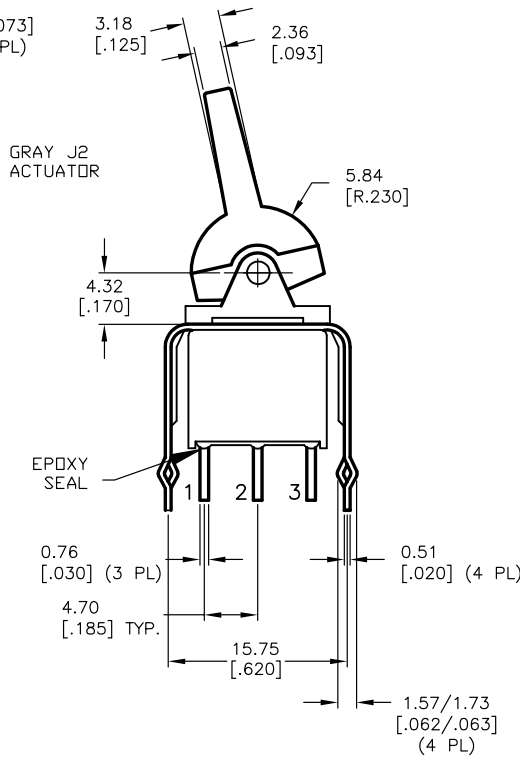
CIRCUIT: SPDT

SWITCH FUNCTION		
POS. 1	POS. 2	POS. 3
ON	NONE	COM
2-3	OPEN	2-1

(>) = Momentary

NOTES:

1. ALL DIMENSIONS IN MM [INCH]
2. GENERAL TOLERANCE: X.X=±0.4
X.XX=±0.25
3. TERM. NOS. FOR REFERENCE ONLY.
4. RATING: 0.4VA MAX. @20V MAX. (AC or DC)
- ▲ 5. PLATING GOLD PLATED COPPER ALLOY
6. OPERATING TEMP: -30°C TO +85°C
7. MECHANICAL LIFE: 30,000 MAKE-AND-BREAK CYCLES
8. ▲ DENOTES CRITICAL PARAMETER.



E-SWITCH®

TITLE

300AWSP2J6BLKVS21RE

A	14461	RELEASED FOR PRODUCTION	11/5/04	AR
REV.	ECN No.	DESCRIPTION	DATE	CHKD

THE INFORMATION CONTAINED IN THIS DOCUMENT IS PROPRIETARY TO E-SWITCH AND IS NOT TO BE COPIED OR TRANSFERRED

SCALE	DATE	DR	DWG	REV
2:1	11/5/04	AR	T301498	A