

Excellent Integrated System Limited

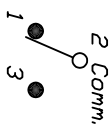
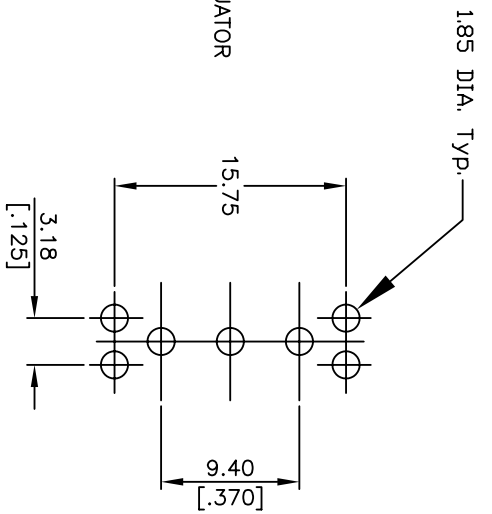
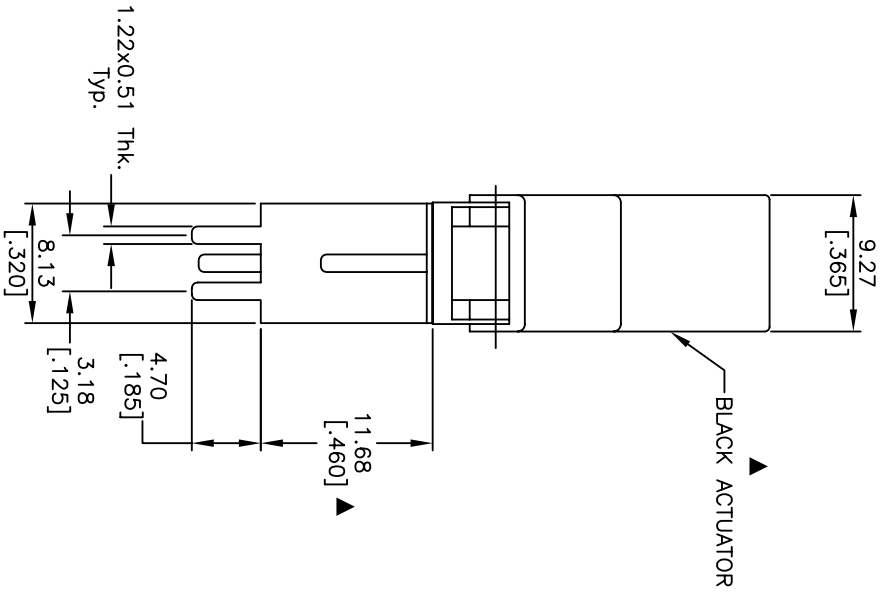
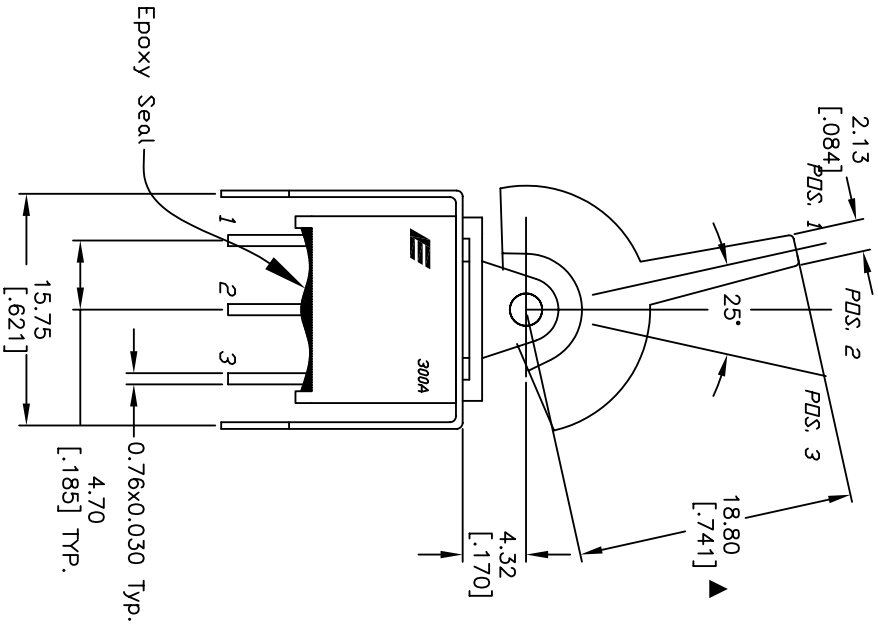
Stocking Distributor

Click to view price, real time Inventory, Delivery & Lifecycle Information:

[E-Switch](#)
[300AWSP4J2BLKVS2RE](#)

For any questions, you can email us directly:

sales@integrated-circuit.com



CONTACT CONFIGURATION

SWITCH FUNCTION	PDS. 1	PDS. 2	PDS. 3
ON	ON	OFF	ON
OFF	OFF	ON	OFF

()=Momentary

- NOTES:
1. ALL DIMENSIONS IN MM
 2. GENERAL TOLERANCE: X.X=±0.4
X.XX=±0.25
 3. TERM. NOS. FOR REFERENCE ONLY.
 4. CONTACT MATERIAL: COPPER ALLOY WITH GOLD PLATE OVER NICKLE PLATE.
 5. RATING: 0.4VA MAX. @ 20V MAX. AC OR DC
 6. OPERATING TEMPERATURE: -30° C TO 85° C
 7. ▲ DENOTES CRITICAL PARAMETER.

REV.	ECN No.	DESCRIPTION	DATE	CHKD
C	15453	CHANGED FROM 381 TO 318 (TERM.)	10/25/05	PH
B	15427	CHANGED FROM 381, 1.27 TYP	10/21/05	PH
A	13216	RELEASED FOR PRODUCTION	6/13/05	AR

SCALE	DATE	DR	DWG	REV
2:1	6/13/05	AR	T301408	C

E-SWITCH®

300AWSP4J2BLKVS2RE

THE INFORMATION CONTAINED IN THIS DOCUMENT IS PROPRIETARY TO E-SWITCH AND IS NOT TO BE COPIED OR TRANSFERRED