

Excellent Integrated System Limited

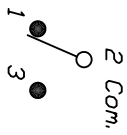
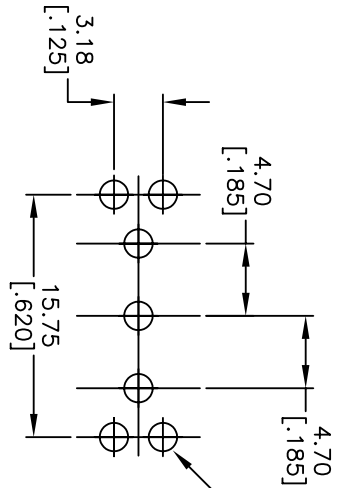
Stocking Distributor

Click to view price, real time Inventory, Delivery & Lifecycle Information:

[E-Switch](#)
[300AWSP4J2GRYVS21RE](#)

For any questions, you can email us directly:

sales@integrated-circuit.com

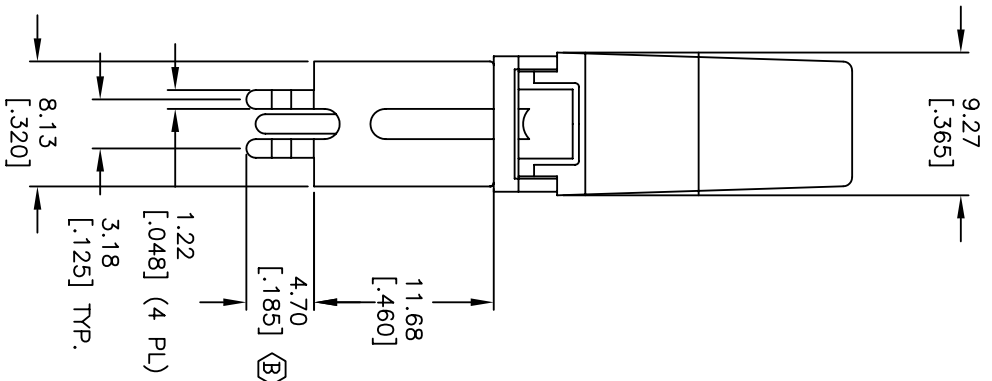
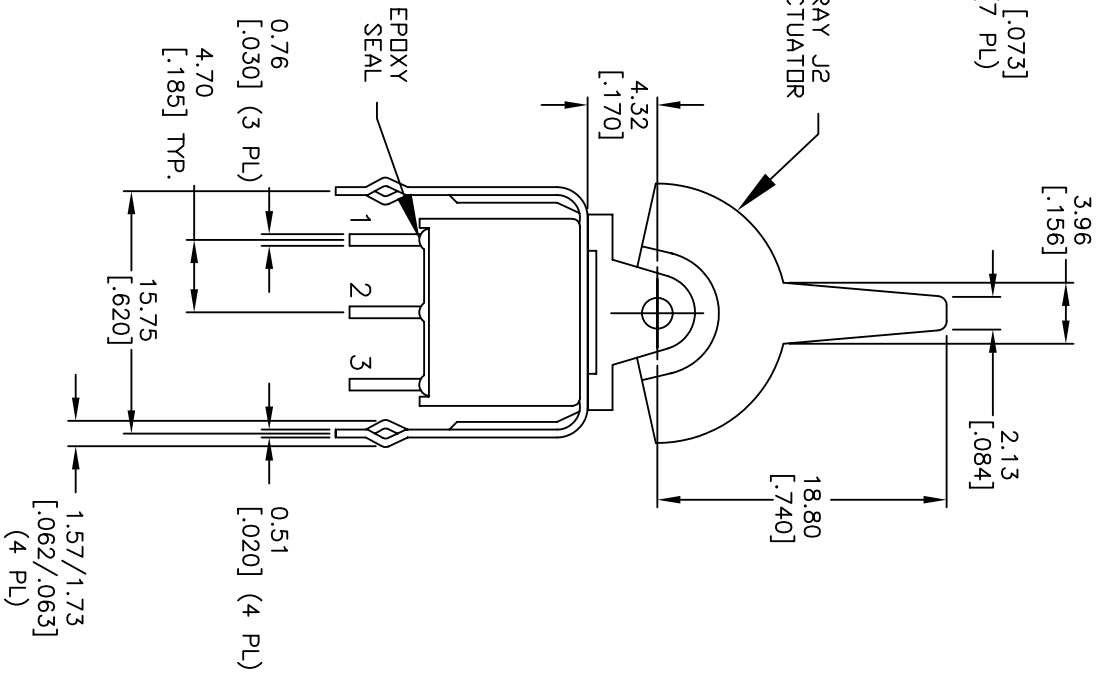


SWITCH FUNCTION		
POS. 1	POS. 2	POS. 3
2-3	DPEN	2-1

() = Momentary

NOTES:

1. ALL DIMENSIONS IN MM [INCH]
2. GENERAL TOLERANCE: X.X=±0.4
X.XX=±0.25
3. TERM. NOS. FOR REFERENCE ONLY.
4. RATING: 0.4VA max. @20V max. (AC or DC)
5. 2002/95/EC (ROHS) COMPLIANT



REV.	ECN No.	DESCRIPTION	DATE	CHKD
B	17586	CHANGED TERMINAL LENGTH (4,7)	8/24/07	BF
A	11571	RELEASED FOR PRODUCTION	7/16/01	CJB

THE INFORMATION CONTAINED IN THIS DOCUMENT IS PROPRIETARY TO E-SWITCH AND IS NOT TO BE COPIED OR TRANSMITTED

TITLE	SCALE	DATE	DR	DWG	REV
300AWSP4J2GRYVS21RE	2:1	8/24/07	BF	T301496	B

E-SWITCH®