

Excellent Integrated System Limited

Stocking Distributor

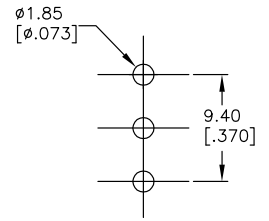
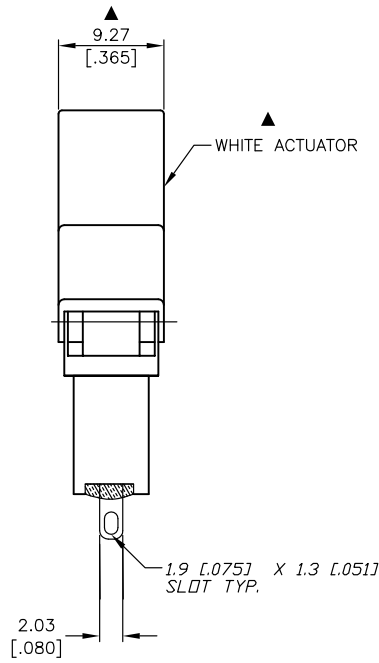
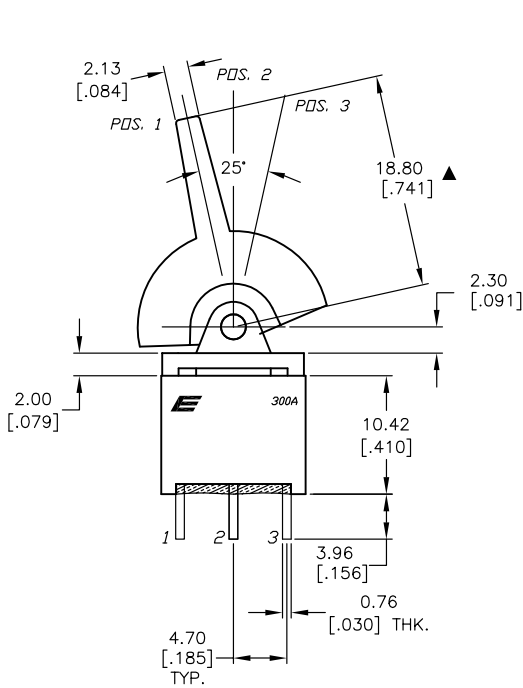
Click to view price, real time Inventory, Delivery & Lifecycle Information:

[E-Switch](#)
[300AWSP4J2WHTM1QE](#)

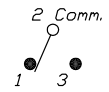
For any questions, you can email us directly:

sales@integrated-circuit.com

SHEET 1 OF 1



RECOMMEND P.C.B. LAYOUT



CIRCUIT: SPDT

CONTACT CONFIGURATION

SWITCH FUNCTION		
POS. 1	POS. 2	POS. 3
<ON>	OFF	<ON>
2-3	OPEN	2-1

< >=Momentary

NOTES:

1. ALL DIMENSIONS IN MM
2. GENERAL TOLERANCE: X.X=±0.4
X.XX=±0.25
3. TERM. NOS. FOR REFERENCE ONLY.
4. CONTACT MATERIAL: COPPER ALLOY WITH SILVER PLATE
5. RATING: 2 AMPS @250VAC
5 AMPS @120VAC OR 28VDC
6. OPERATING TEMPERATURE: -30° C TO 85° C
7. ▲ DENOTES CRITICAL PARAMETER.

E-SWITCH®

A	14287	RELEASED FOR PRODUCTION	9/3/04	AR	TITLE	300AWSP4J2WHTM1QE								
REV.	ECN No.	DESCRIPTION	DATE	CHKD	SCALE	2:1	DATE	9/3/04	DR	AR	DWG	T301401	REV	A
<small>THE INFORMATION CONTAINED IN THIS DOCUMENT IS PROPRIETARY TO E-SWITCH AND IS NOT TO BE COPIED OR TRANSFERRED</small>														