

Excellent Integrated System Limited

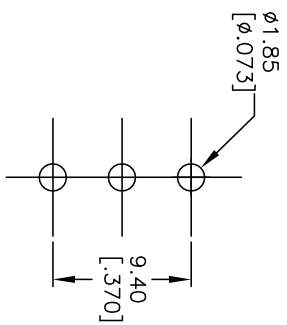
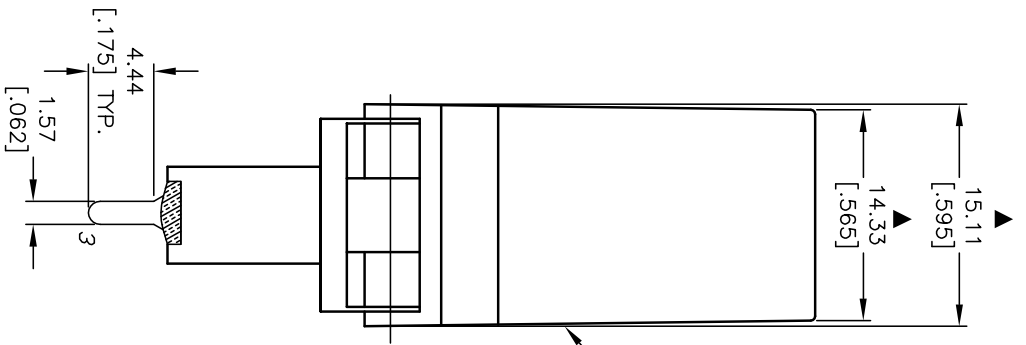
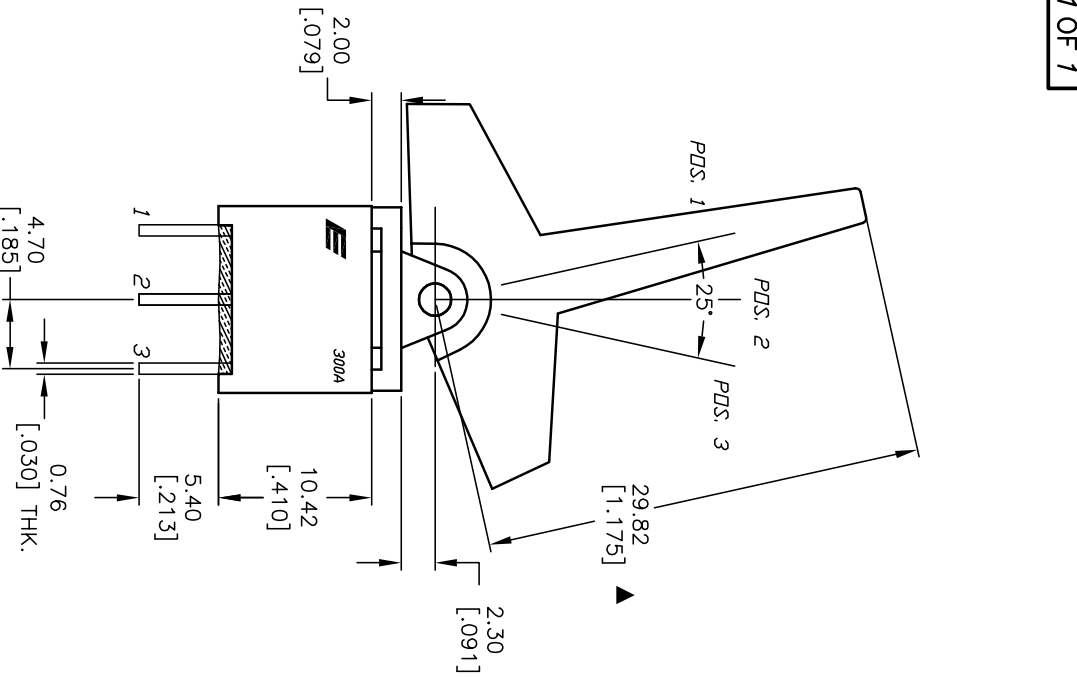
Stocking Distributor

Click to view price, real time Inventory, Delivery & Lifecycle Information:

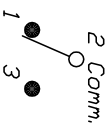
[E-Switch](#)
[300AWSP4J4BLKM3QE](#)

For any questions, you can email us directly:

sales@integrated-circuit.com



RECOMMEND P.C.B. LAYOUT



CONTACT CONFIGURATION

SWITCH FUNCTION	PDS. 1	PDS. 2	PDS. 3
<DN>	<DN>	OFF	<DN>
<UP>	2-3	DPEN	2-1

()=Momentary

- NOTES:
1. ALL DIMENSIONS IN MM/IN.
 2. GENERAL TOLERANCE: X.X=±0.4 X.XX=±0.25
 3. TERM. NOS. FOR REFERENCE ONLY.
 4. CONTACT MATERIAL: COPPER ALLOY WITH SILVER PLATE
 5. RATING: 2 AMPS @250VAC
 6. OPERATING TEMPERATURE: -30° C TO 85° C
 7. ▲ DENOTES CRITICAL PARAMETER.

REV.	ECN No.	DESCRIPTION	DATE	CHKD
A	14311	RELEASED FOR PRODUCTION	9/15/04	AR

TITLE	SCALE	DATE	DR	DWG	REV
300AWSP4J4BLKM3QE	2:1	9/15/04	AR	T301410	A

E-SWITCH®

THE INFORMATION CONTAINED IN THIS DOCUMENT IS PROPRIETARY TO E-SWITCH AND IS NOT TO BE COPIED OR TRANSFERRED