

## Excellent Integrated System Limited

Stocking Distributor

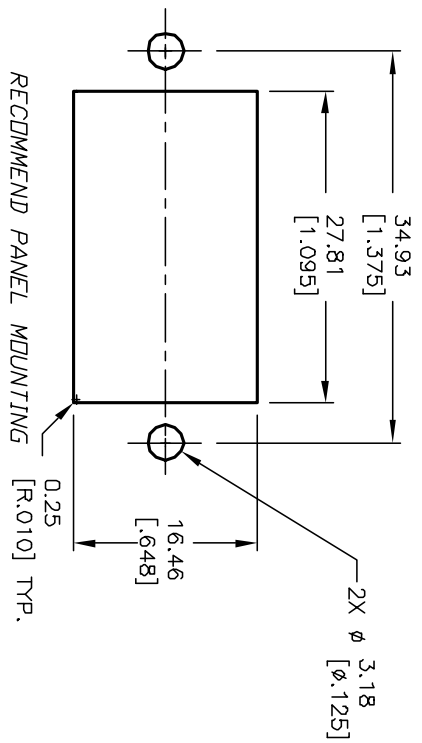
Click to view price, real time Inventory, Delivery & Lifecycle Information:

[E-Switch](#)  
[300DP3R3BLKM1QE](#)

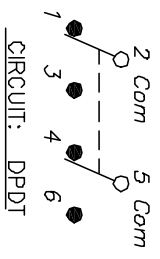
For any questions, you can email us directly:

[sales@integrated-circuit.com](mailto:sales@integrated-circuit.com)

SHEET OF



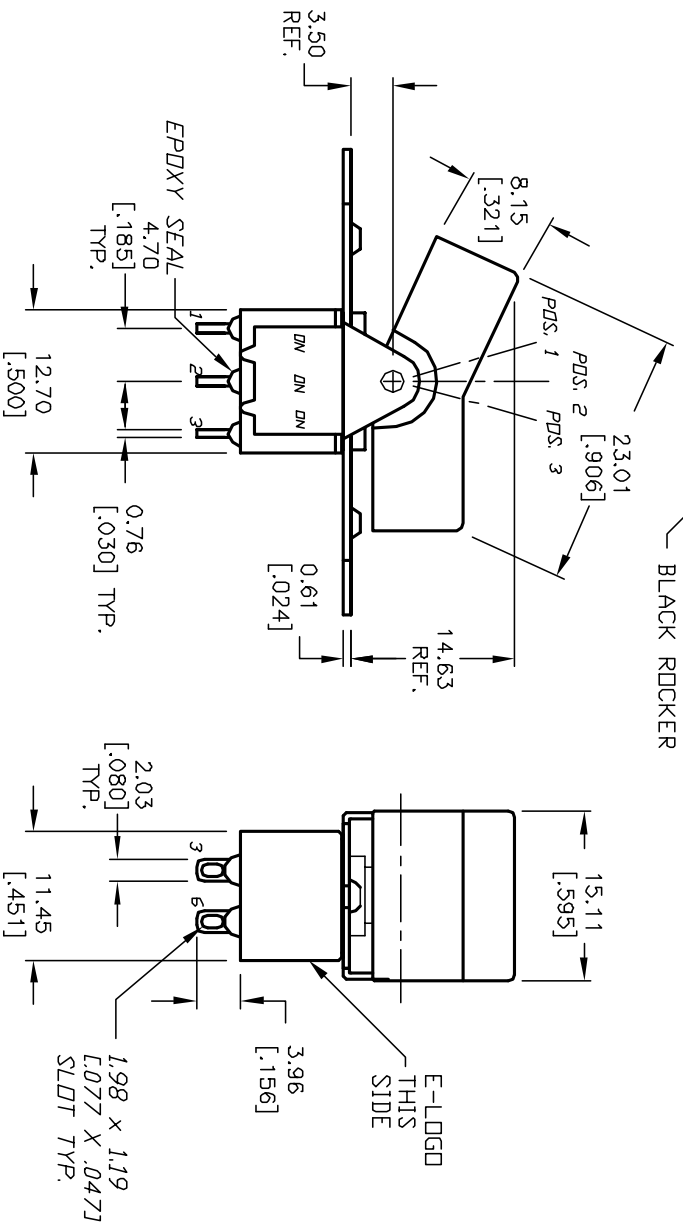
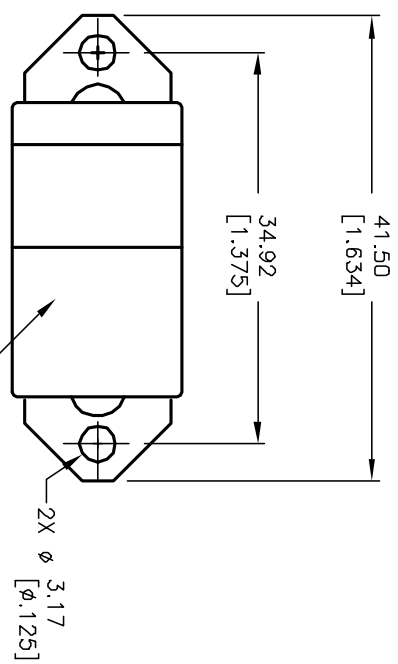
RECOMMEND PANEL MOUNTING [R.010] TYP.



SWITCH FUNCTION		
PDS. 1	PDS. 2	PDS. 3
DN	DEF	DN
2-3-5-6	DPEN	2-1-5-4

NOTES:

1. ALL DIMENSIONS IN MM [INCH]
2. GENERAL TOLERANCE: X.XX=±0.4 X.XX=±0.25
3. TERM. NOS. FOR REF. ONLY
4. RATING: 5A @120VAC OR 28VDC 2A @250VAC
5. MATERIAL: FIXED TERMINAL & MOVING CONTACT  
Copper Alloy w/Silver Plate
6. CONTACT RESISTANCE: 10mILLI Ohms max initial @2-4VDC, 100mA for AG & AU
7. ELECTRICAL LIFE: 50,000 make-and-break cycles at full load.
8. INSULATION RESISTANCE: 1,000M ohm min.
9. DIELECTRIC STRENGTH: 1000V RMS @sea level
10. OPERATING TEMP.: -30°C to +85°C



**E-SWITCH®**

300DP3R3BLKM1QE

REV.	ECN No.	DESCRIPTION	DATE	CHKD
A	13011	RELEASED FOR PRODUCTION	4/8/03	AR

TITLE	SCALE	DATE	DR	DWG	REV
300DP3R3BLKM1QE	2:1	4/8/03	AR	T3224001	A

THE INFORMATION CONTAINED IN THIS DOCUMENT IS PROPRIETARY TO E-SWITCH AND IS NOT TO BE COPIED OR TRANSMITTED