

Excellent Integrated System Limited

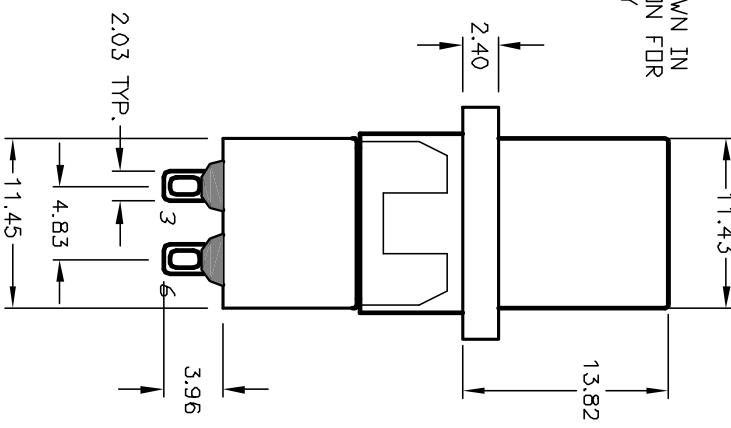
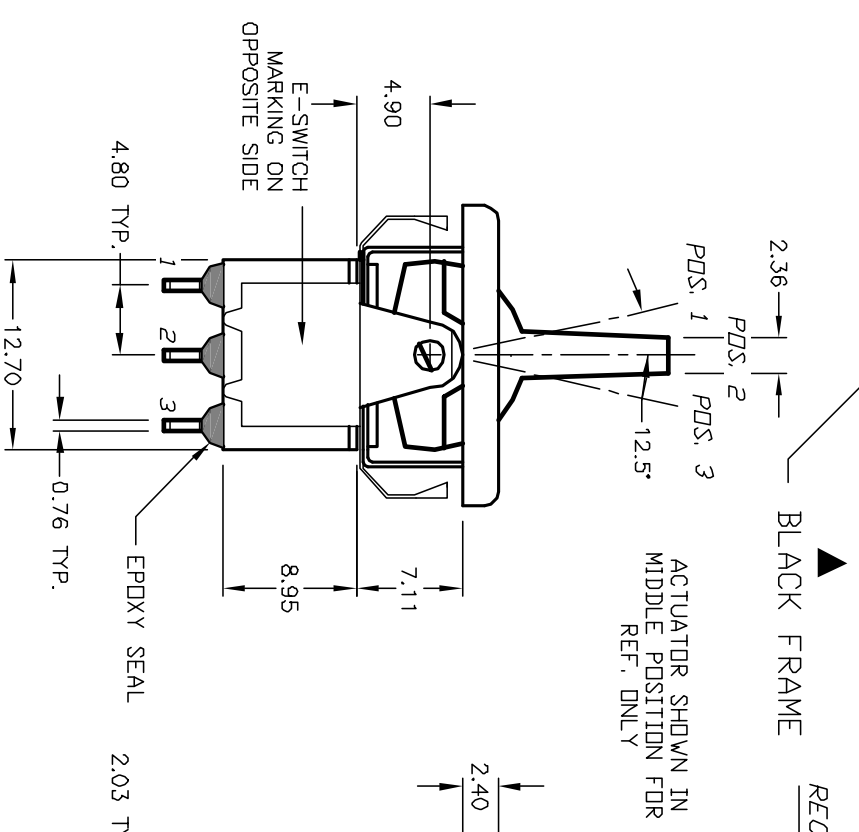
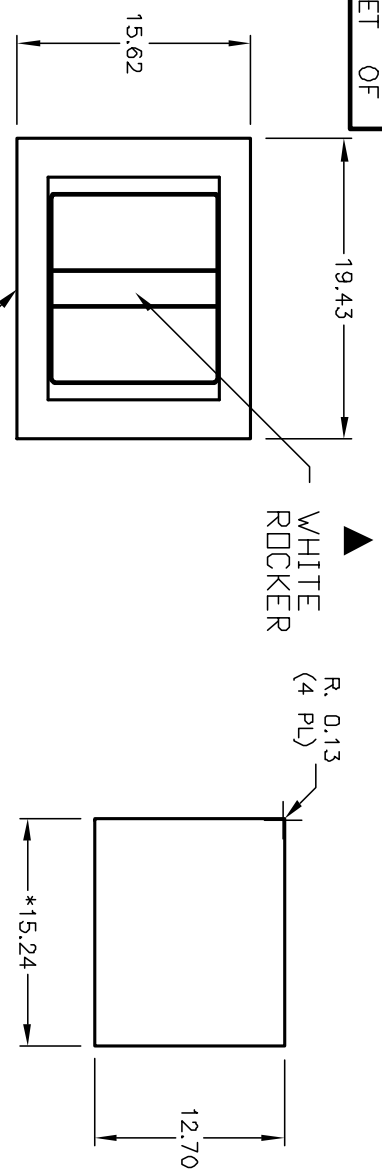
Stocking Distributor

Click to view price, real time Inventory, Delivery & Lifecycle Information:

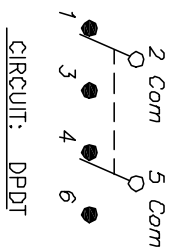
[E-Switch](#)
[300DP4R7WHTM1REBLK](#)

For any questions, you can email us directly:
sales@integrated-circuit.com

SHEET OF



PANEL THICKNESS
 1.52 TO 3.18
 * DIMENSION IS 15.75/15.88
 FOR PANEL THICKNESS BETWEEN
 1.52mm TD 3.18mm



POS. 1	POS. 2	POS. 3
<DN>	OFF	<DN>
2-3,5-6	DPEN	2-1,5-4

- NOTES:
1. ALL DIMENSIONS IN MM
 2. GENERAL TOLERANCE: X.XX=±0.4 X.XX=±0.25
 3. TERM. NOS. FOR REF. ONLY
 4. RATING: 0.4VA @20 (AC OR DC) max.
 5. MATERIAL: FIXED TERMINAL & MOVING CONTACT
Copper Alloy w/Gold plate over
Nickel plate.
 6. CONTACT RESISTANCE: 10mILLI Ohms max initial @2-4VDC, 100mA for AG & AU
 7. ELECTRICAL LIFE: 50,000 make-and-break cycles at full load.
 8. INSULATION RESISTANCE: 1,000M Ohm min.
 9. DIELECTRIC STRENGTH: 1000V RMS @seo level
 10. OPERATING TEMP.: -30°C to 85°C

E-SWITCH®

REV. A	12837	RELEASED FOR PRODUCTION	2/25/03	CB	TITLE	300 DP-4 R7 WHT M1 R E BLK (GOLD CONTACTS)	DR	CB	DWG	T3224072	REV	A
ECN No.		DESCRIPTION	DATE	CHKD	SCALE	2:1	DATE	2/25/03				

THE INFORMATION CONTAINED IN THIS DOCUMENT IS PROPRIETARY TO E-SWITCH AND IS NOT TO BE COPIED OR TRANSMITTED