

Excellent Integrated System Limited

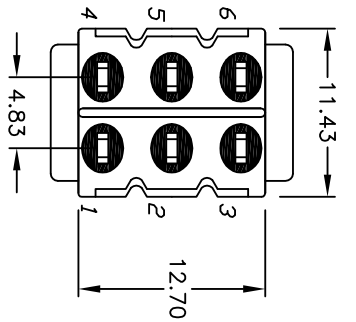
Stocking Distributor

Click to view price, real time Inventory, Delivery & Lifecycle Information:

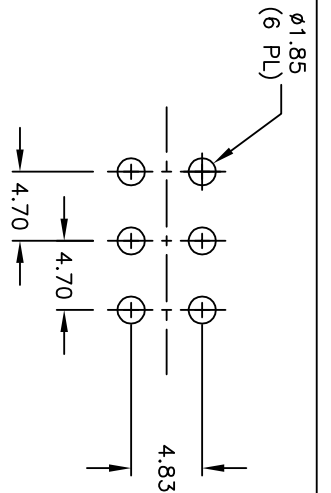
[E-Switch](#)
[300DP6J1BLKM2QE](#)

For any questions, you can email us directly:

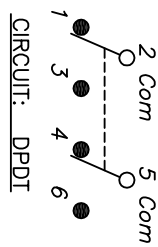
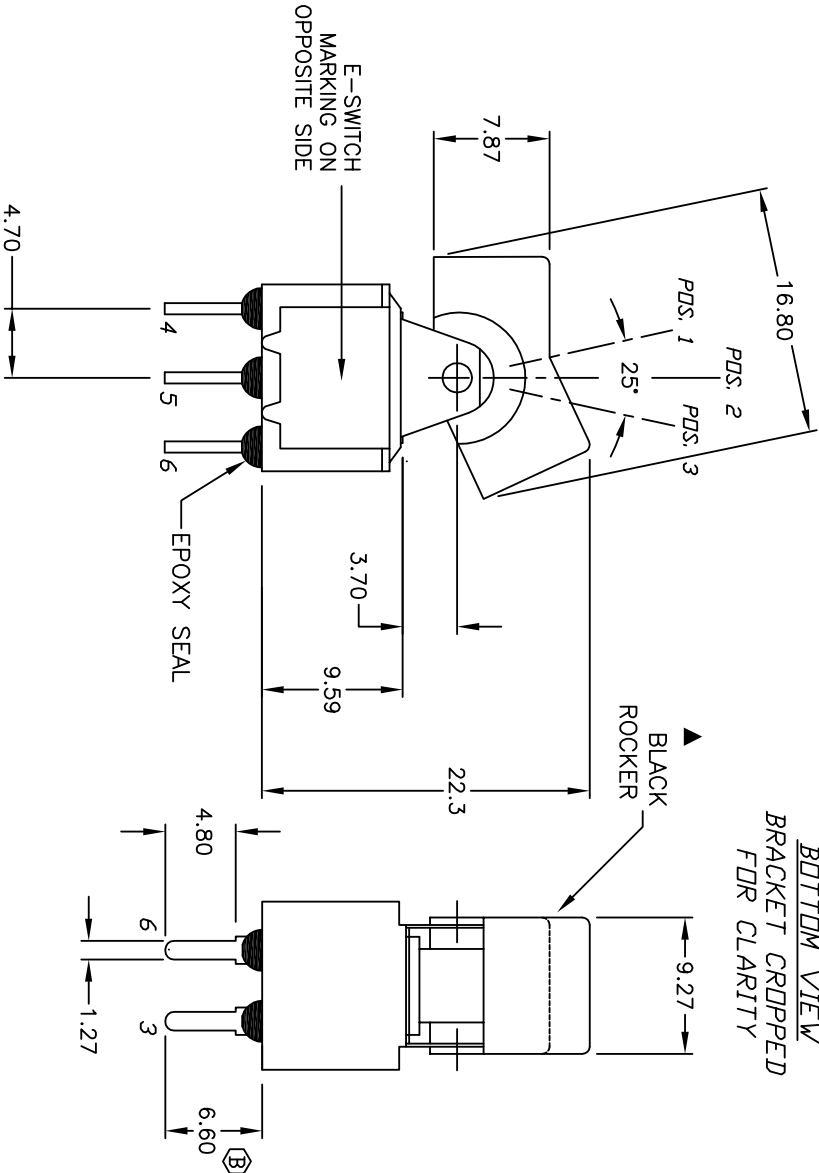
sales@integrated-circuit.com



BOTTOM VIEW
BRACKET CROPPED
FOR CLARITY



RECOMMENDED PANEL MOUNTING



SWITCH FUNCTION		
PDS. 1	PDS. 2	PDS. 3
DN	DN	DN
2-3,5-6	2-3, 5-4	2-1,5-4

NOTES:

1. ALL DIMENSIONS IN MM [INCH]
2. GENERAL TOLERANCE: $X.X \pm 0.4$
 $X.XX \pm 0.25$
3. TERM. NOS. FOR REF. ONLY
4. RATING: 5A @120VAC OR 28VDC
2A @250VAC
5. MATERIAL: FIXED TERMINAL & MOVING CONTACT
Copper Alloy w/Silver Plate
SWITCH SUPPORT: Brass Tin Plated.
6. CONTACT RESISTANCE: 10mILLI Ohms max initial
@2-4VDC, 100mA for AG & AU
7. ELECTRICAL LIFE: 50,000 make-and-break
cycles at full load.
8. INSULATION RESISTANCE: 1,000M ohm min.
9. DIELECTRIC STRENGTH: 1000V RMS @sea level
10. OPERATING TEMP.: -30°C to +85°C
11. 2002/95/EC (ROHS) COMPLIANT.

B	18604	REVISE TERMINAL LENGTH DIMENSION	7/30/09	BLR
A	13707	RELEASED FOR PRODUCTION	1/15/04	AR
REV.	ECN No.	DESCRIPTION	DATE	CHKD

TITLE		E-SWITCH®		ELAMIB® INDUSTRIES	
SCALE	DATE	DR	DWG	REV	
2:1	7/30/09	BLR	T326004	B	
300DP6J1BLKM2QE					

THE INFORMATION CONTAINED IN THIS DOCUMENT IS PROPRIETARY TO E-SWITCH AND IS NOT TO BE COPIED OR TRANSMITTED