

## Excellent Integrated System Limited

Stocking Distributor

Click to view price, real time Inventory, Delivery & Lifecycle Information:

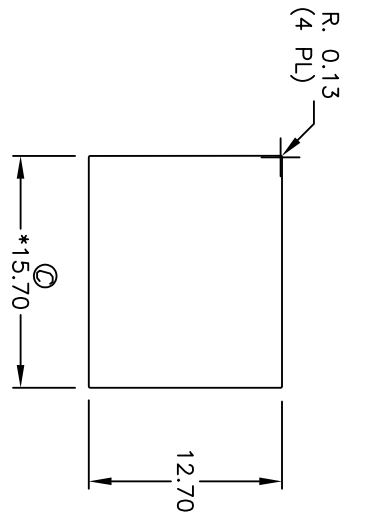
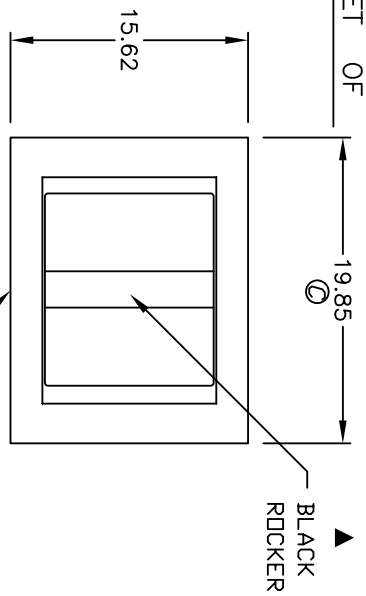
[E-Switch](#)  
[300DP6R7BLKM3REBLK](#)

For any questions, you can email us directly:

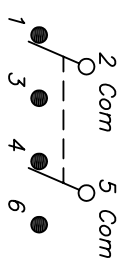
[sales@integrated-circuit.com](mailto:sales@integrated-circuit.com)



SHEET OF

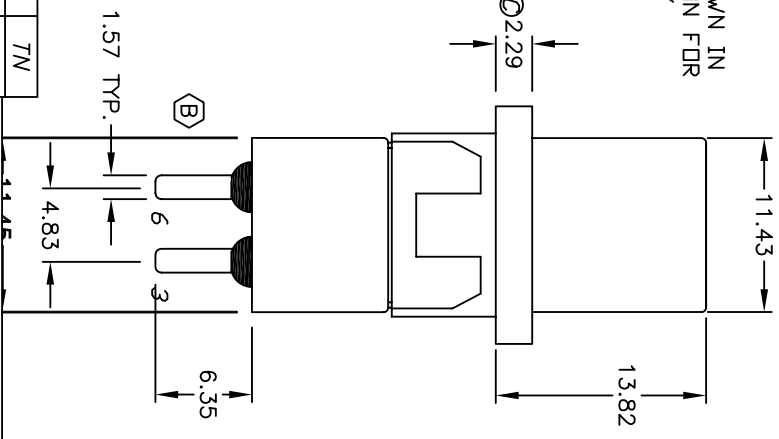
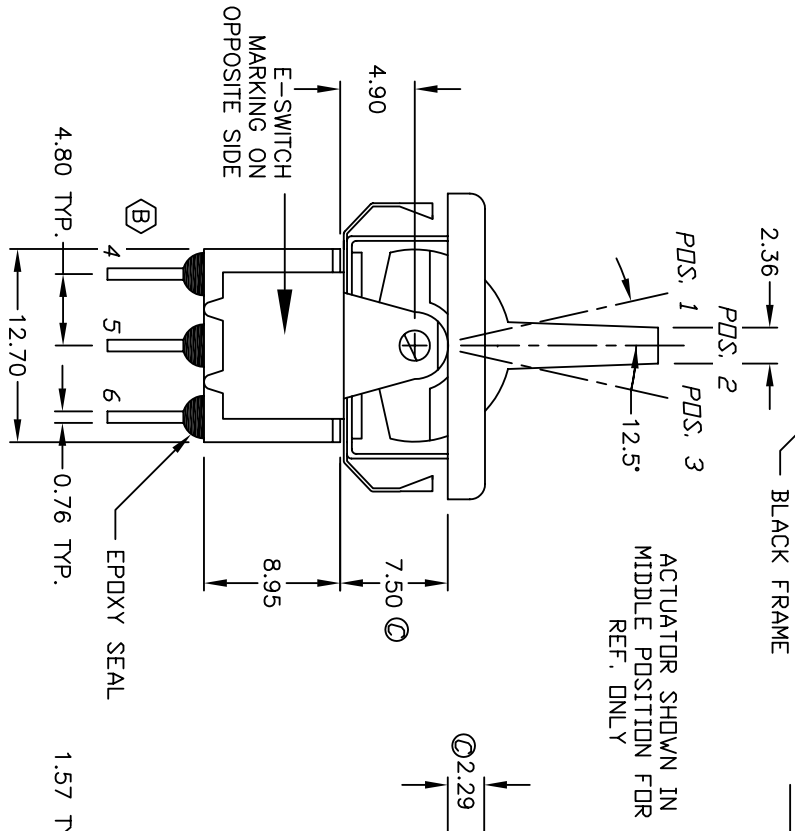


PANEL THICKNESS  
 1.52 TO 3.18  
 \* DIMENSION IS 15.75/15.88  
 FOR PANEL THICKNESS BETWEEN  
 1.52mm TO 3.18mm



CIRCUIT: DPDT

SWITCH FUNCTION	PDS. 1	PDS. 2	PDS. 3
DN	DN	DN	DN
2-3-5-6	2-3-5-4	2-1-5-4	



NOTES:

1. ALL DIMENSIONS IN MM
2. GENERAL TOLERANCE: X.X=±0.4  
X.XX=±0.25
3. TERM. NOS. FOR REF. ONLY
4. RATING: 0.4VA @20 (AC or DC) max.
5. MATERIAL: FIXED TERMINAL & MOVING CONTACT  
Copper Alloy w/Gold plate over  
Nickel plate.
6. CONTACT RESISTANCE: 10mΩ Initial Ohms max initial  
@2-4VDC, 100mA for AG & AU
7. ELECTRICAL LIFE: 50,000 make-and-break  
cycles at full load.
8. INSULATION RESISTANCE: 1,000M Ohm min.
9. DIELECTRIC STRENGTH: 1000V RMS @sea level
10. OPERATING TEMP.: -30°C to 85°C
11. ▲ DENOTES CRITICAL PARAMETER.
12. 2002/95/EC (ROHS) COMPLIANT

REV.	ECN No.	DESCRIPTION	DATE	CHKD
E	16920	FIXED TERMINAL #'S DN ALL	1/25/07	TN
D	16908	FIXED SWITCH FUNCTION	1/23/07	TN
C	15900	CHANGES NOTED	3/27/06	PH
B	13412	CORRECT TERMINATION	8/29/03	AR
A	13281	RELEASED FOR PRODUCTION	7/10/03	AR

SCALE	DATE	DR	DWG	REV
2:1	1/25/07	TN	T326038	E

**E-SWITCH®**

300DP6R7BLKM3REBLK

THE INFORMATION CONTAINED IN THIS DOCUMENT IS PROPRIETARY TO E-SWITCH AND IS NOT TO BE COPIED OR TRANSFERRED