

Excellent Integrated System Limited

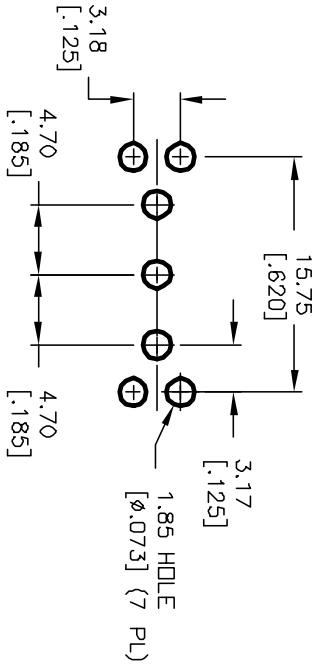
Stocking Distributor

Click to view price, real time Inventory, Delivery & Lifecycle Information:

[E-Switch](#)
[300SP1J1VS2RE](#)

For any questions, you can email us directly:

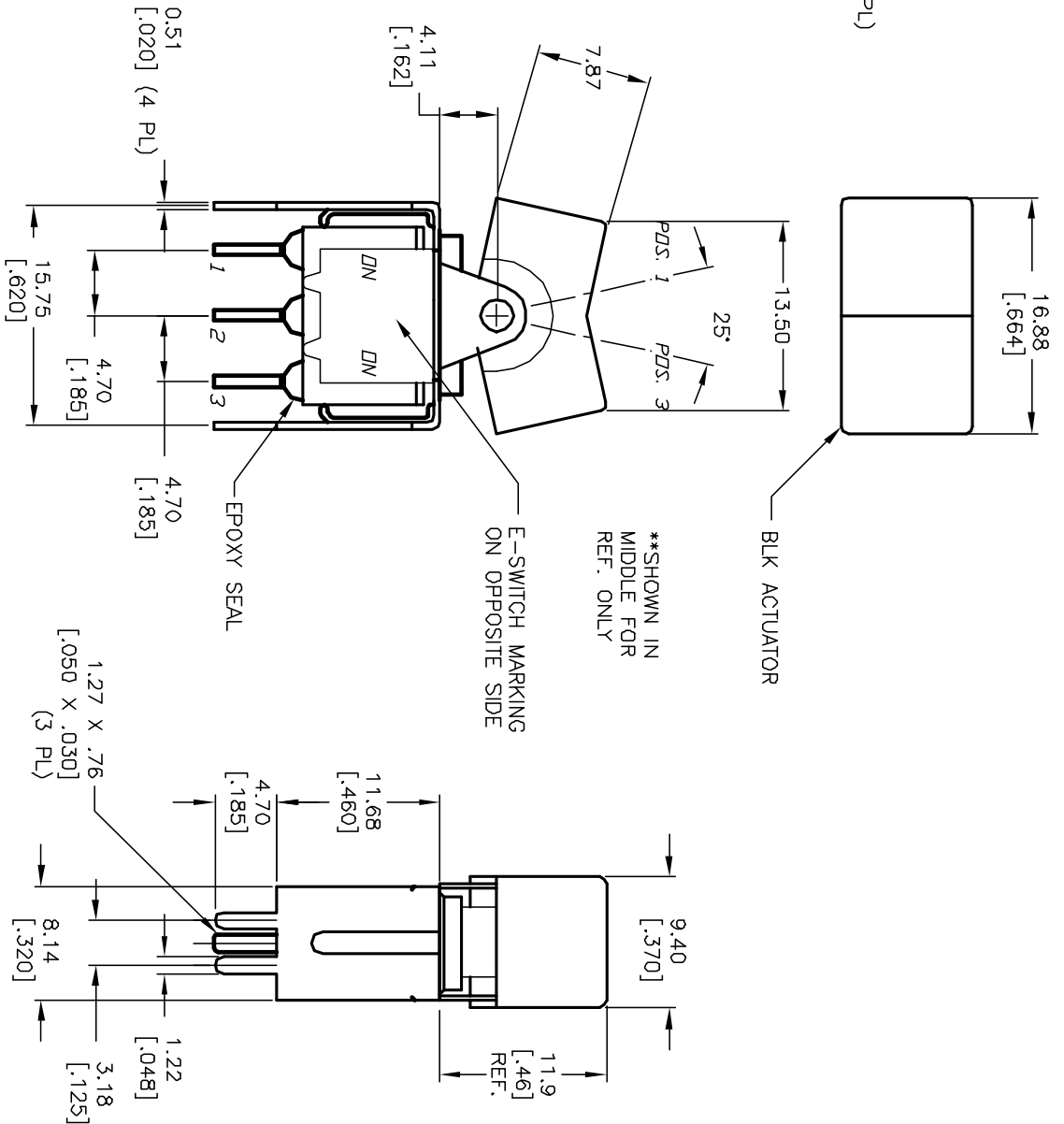
sales@integrated-circuit.com



SWITCH FUNCTION		
POS. 1	POS. 2	POS. 3
DN	NONE	DN
2-3	OPEN	2-1

NOTES:

1. ALL DIMENSIONS IN MM [INCH]
2. GENERAL TOLERANCE: X.X=±0.4 X.XX=±0.25
3. TERM. NOS. FOR REF. ONLY
4. RATING: 0.4VA @20V max. (AC or DC)
5. MATERIAL: FIXED TERMINAL & MOVING CONTACT
Copper Alloy w/ Gold plate over Nickel plate.
6. CONTACT RESISTANCE: 10mΩ Ohms max initial @2-4VDC, 100mA for AG & AU
7. ELECTRICAL LIFE: 50,000 make-and-break cycles at full load.
8. INSULATION RESISTANCE: 1,000M ohm min.
9. DIELECTRIC STRENGTH: 1000V RMS @sea level
10. OPERATING TEMP.: -30°C to 85°C



E-SWITCH®

TITLE 300 SP-1 J1 BLK VSS2 RE (GOLD CONTACTS)

SCALE 2:1 DATE 8/7/01 DR CJB DWG T311007 REV B

REV.	ECN No.	DESCRIPTION	DATE	CHKD
B	11603	REVISED AND REDRAWN	8/7/01	CJB

THE INFORMATION CONTAINED IN THIS DOCUMENT IS PROPRIETARY TO E-SWITCH AND ITS NOT TO BE COPIED OR TRANSMITTED