

Excellent Integrated System Limited

Stocking Distributor

Click to view price, real time Inventory, Delivery & Lifecycle Information:

[E-Switch](#)
[300SP1J3VS2QE](#)

For any questions, you can email us directly:

sales@integrated-circuit.com



Distributor of E-Switch: Excellent Integrated System Limited

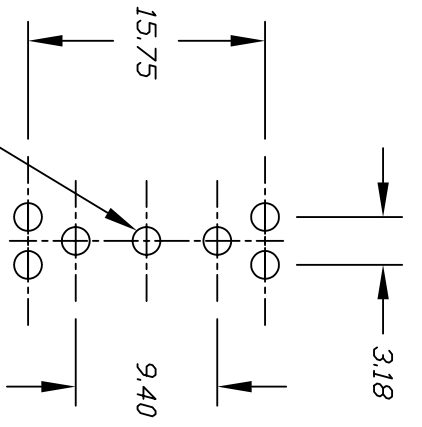
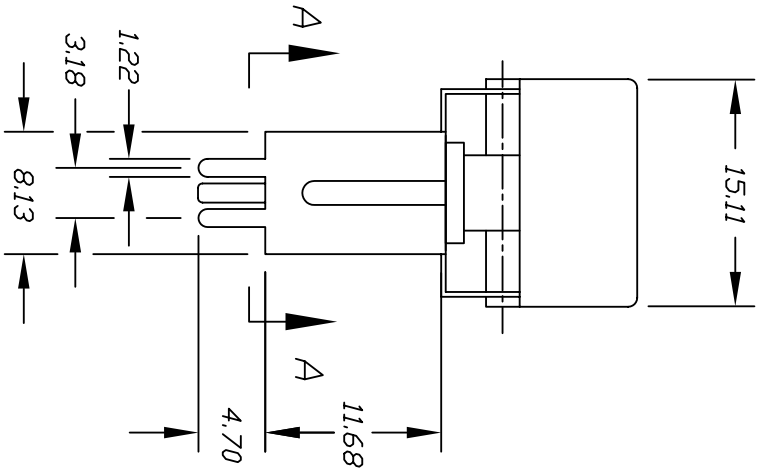
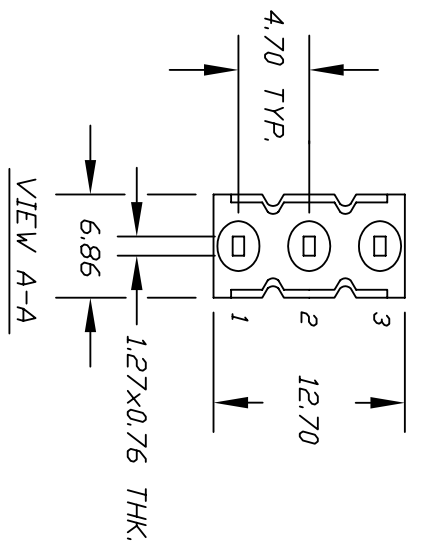
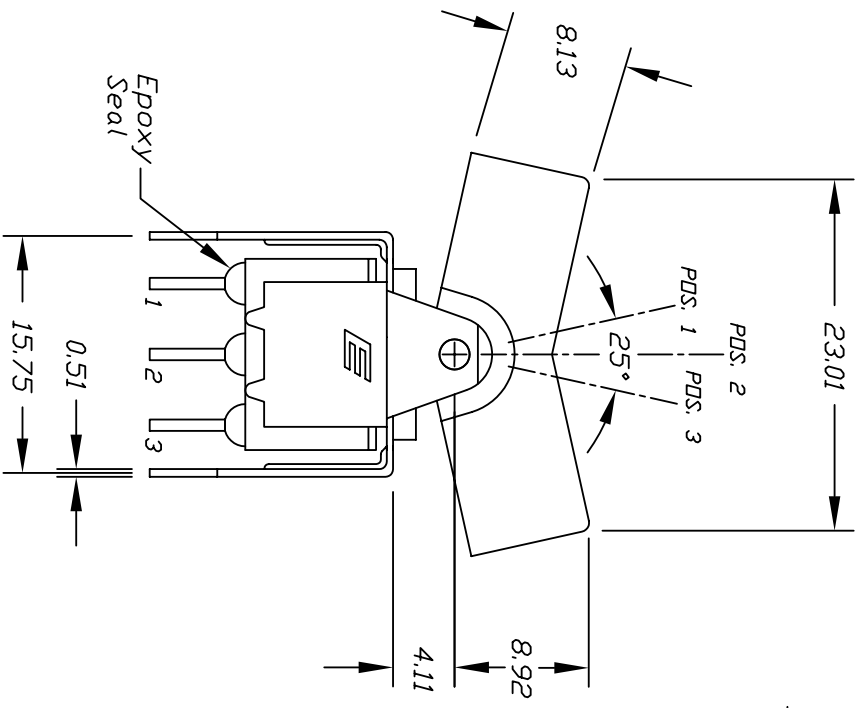
Datasheet of 300SP1J3VS2QE - SWITCH ROCKER SPDT 5A 120V

Contact us: sales@integrated-circuit.com Website: www.integrated-circuit.com

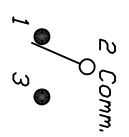
SHEET DF

NOTES:

1. ALL DIMENSIONS IN MM
2. TERM. NDS. FOR REF ONLY
3. RATING: 5A @120VAC or 28VDC; 2A @250VAC.



RECOMMEND P.C.B. HOLES



CIRCUIT: SPDT

CONTACT CONFIGURATION

SWITCH FUNCTION			
PDS. 1	PDS. 2	PDS. 3	
DN	NONE	DN	
2-3	OPEN	2-1	

REV.	DESCRIPTION	DATE	CHKD
A	RELEASED FOR PRODUCTION		

THE INFORMATION CONTAINED IN THIS DOCUMENT IS PROPRIETARY TO E-SWITCH AND IS NOT TO BE COPIED OR TRANSFERRED

TOLERANCES	
0.0	±0.4
0.00	±0.25

SCALE	DATE	DR	DWG	REV
2:1	10/23/97	MM	T311006	A

E-SWITCH®
300 SP-1 J3 VS2 Q E