

Excellent Integrated System Limited

Stocking Distributor

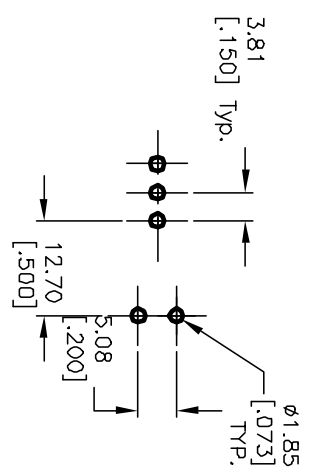
Click to view price, real time Inventory, Delivery & Lifecycle Information:

[E-Switch](#)
[300SP1J5BLKM71RE](#)

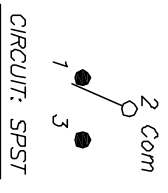
For any questions, you can email us directly:

sales@integrated-circuit.com

SHEET OF



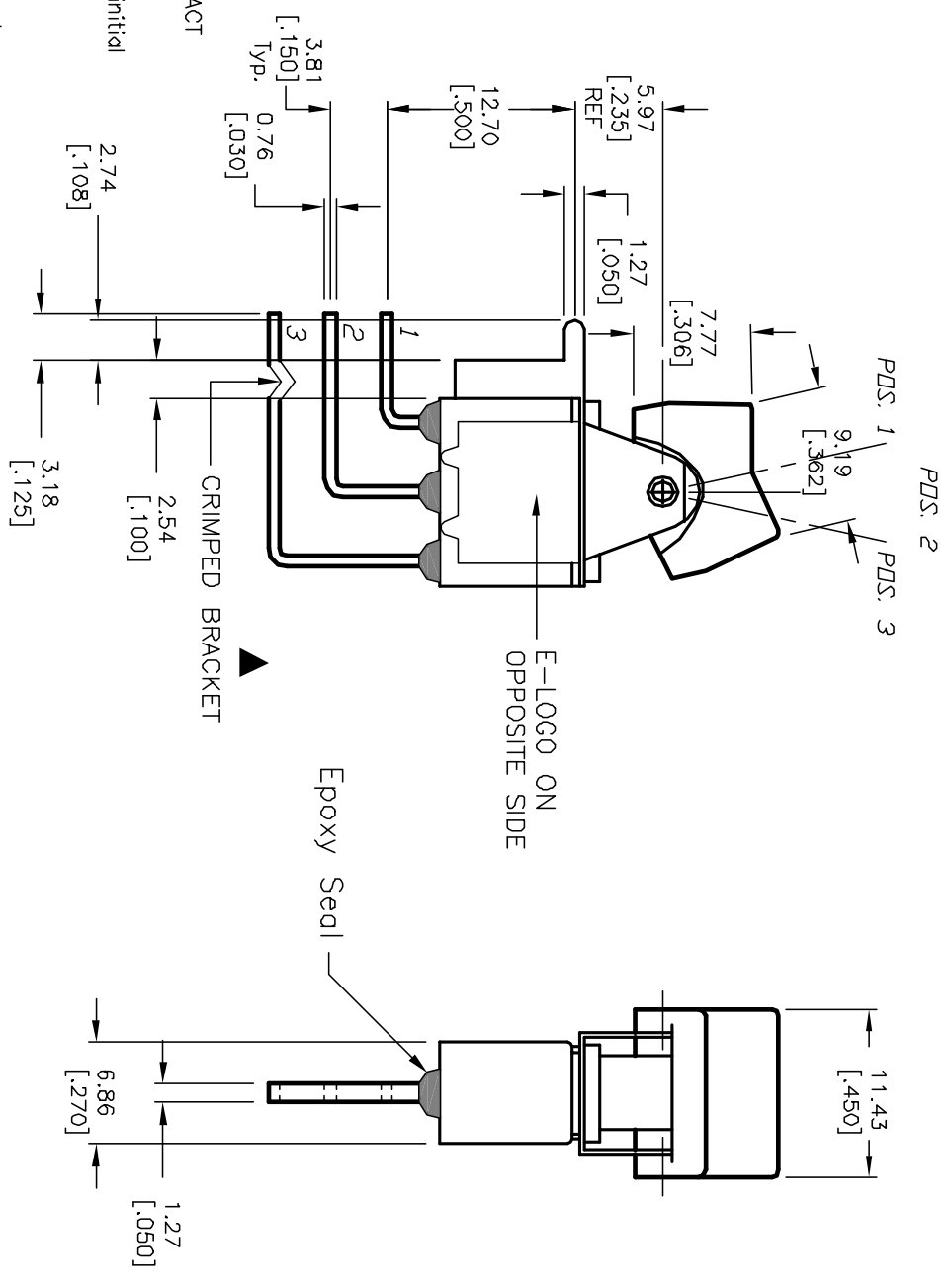
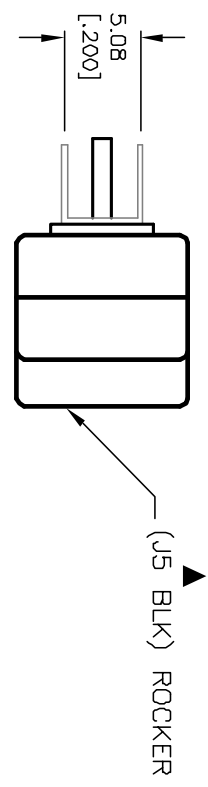
RECOMMENDED P.C.B. LAYOUT
 NOT TO SCALE



SWITCH FUNCTION		
PDS. 1	PDS. 2	PDS. 3
DN	NONE	DN
2-3	DPEN	2-1

NOTES:

1. ALL DIMENSIONS IN MM [INCH]
2. GENERAL TOLERANCE: X.X=±0.4 X.XX=±0.25
3. TERM. NOS. FOR REF. ONLY
4. RATING: 0.4VA @20V AC max.
5. MATERIAL: FIXED TERMINAL & MOVING CONTACT
Copper Alloy w/Gold plate over Nickel plate
6. CONTACT RESISTANCE: 10mILLI Ohms max initial @2-4VDC, 100mA for AG & AU
7. ELECTRICAL LIFE: 50,000 make-and-break cycles at full load.
8. INSULATION RESISTANCE: 1,000M ohm min.
9. DIELECTRIC STRENGTH: 1000V RMS @sed level
10. OPERATING TEMP.: -30°C to 85°C
11. ▲ DESIGNATE CRITICAL PARAMETER



E-SWITCH®

REV.	ECN No.	DESCRIPTION	DATE	CHKD
A	12833	RELEASED FOR PRODUCTION	2/25/03	CJB

TITLE	SCALE	DATE	DR	DWG	REV
300 SP-1 (J5 BLK) M71 RE (GOLD CONTACTS)	2:1	2/25/03	CJB	T311057	A

THE INFORMATION CONTAINED IN THIS DOCUMENT IS PROPRIETARY TO E-SWITCH AND IS NOT TO BE COPIED OR TRANSMITTED