

Excellent Integrated System Limited

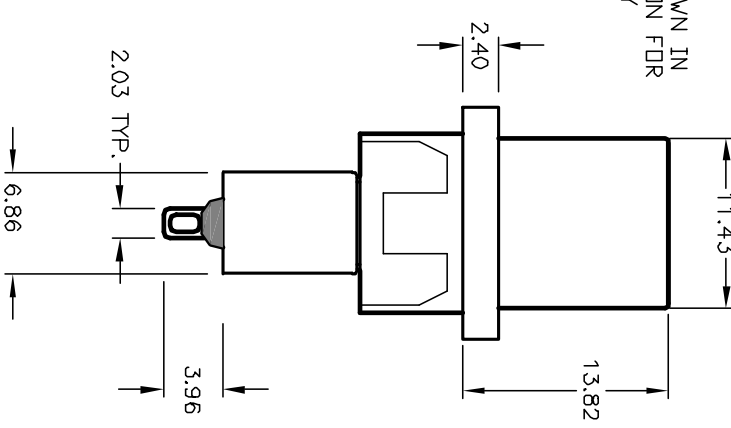
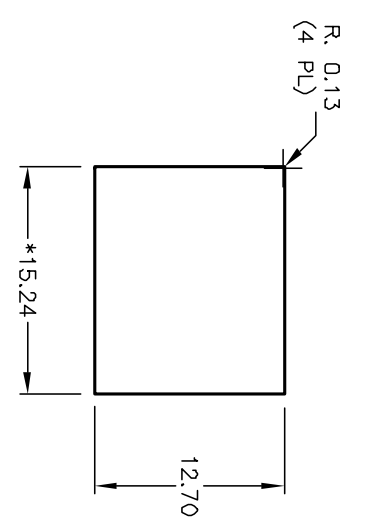
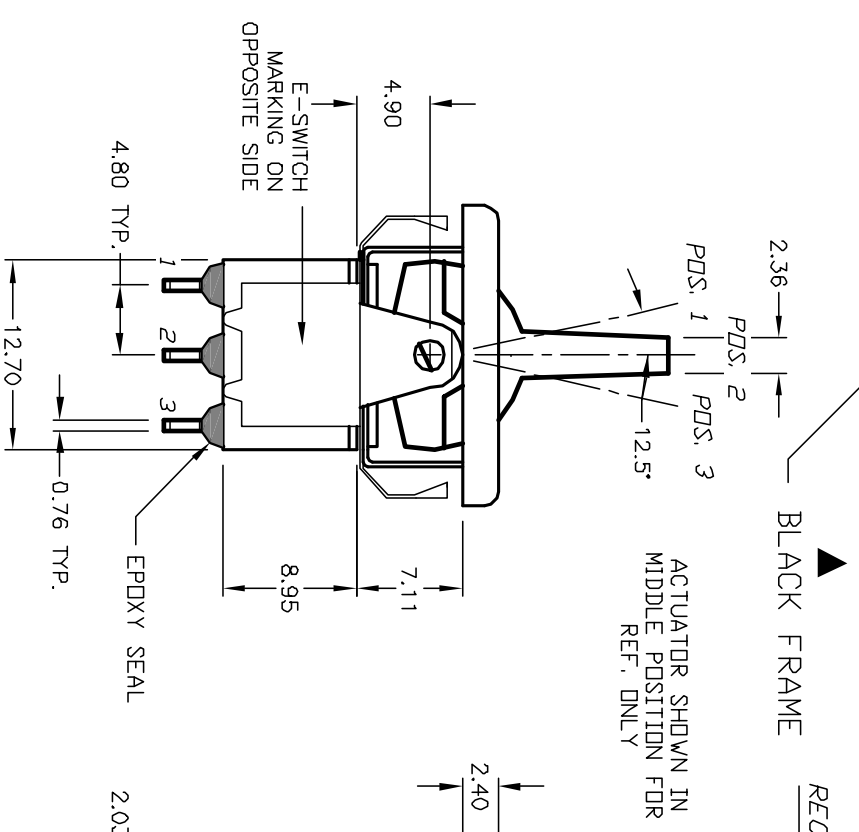
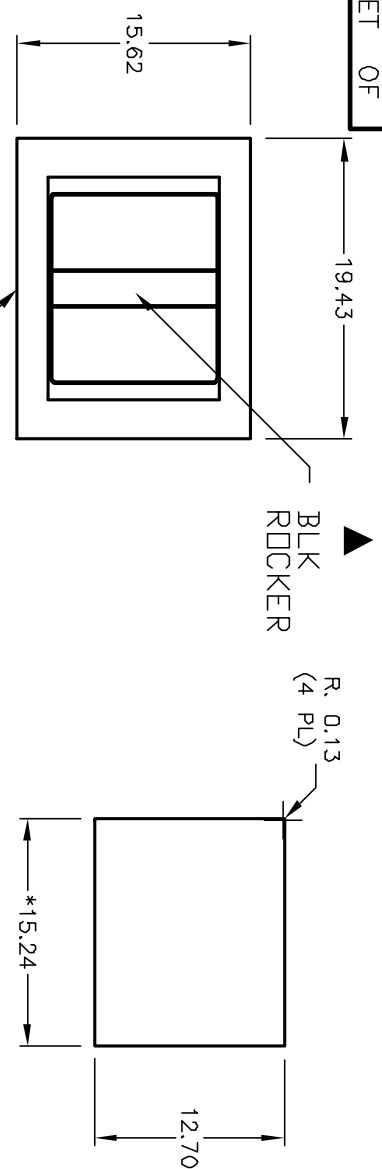
Stocking Distributor

Click to view price, real time Inventory, Delivery & Lifecycle Information:

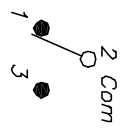
[E-Switch](#)
[300SP2R7BLKM1QEBLK](#)

For any questions, you can email us directly:
sales@integrated-circuit.com

SHEET OF



PANEL THICKNESS
 1.52 TD 3.18
 * DIMENSION IS 15.75/15.88
 FOR PANEL THICKNESS BETWEEN
 1.52mm TD 3.18mm



SWITCH FUNCTION		
POS. 1	POS. 2	POS. 3
DN	NONE	<DN>
2-3	DPEN	2-1

- NOTES:
1. ALL DIMENSIONS IN MM
 2. GENERAL TOLERANCE: X.XX=±0.4 X.XX=±0.25
 3. TERM. NOS. FOR REF. ONLY
 4. RATING: 5A @120VAC OR 2BVDC 2A @250VAC
 5. MATERIAL: FIXED TERMINAL & MOVING CONTACT Copper Alloy w/Silver Plate
 6. CONTACT RESISTANCE: 10mILLI Ohms max initial @2-4VDC, 100mA for AG & AU
 7. ELECTRICAL LIFE: 50,000 make-and-break cycles at full load.
 8. INSULATION RESISTANCE: 1,000M Ohm min.
 9. DIELECTRIC STRENGTH: 1000V RMS @sea level
 10. OPERATING TEMP.: -30°C to 85°C

E-SWITCH®

REV. A	12263	RELEASED FOR PRODUCTION	6/25/02	CB
ECN No.		DESCRIPTION	DATE	CHKD

TITLE	300 SP-2 R7 BLK M1 Q E BLK	DATE	6/25/02	DR	CB	DWG	T312016	REV	A
SCALE	2:1								

THE INFORMATION CONTAINED IN THIS DOCUMENT IS PROPRIETARY TO E-SWITCH AND IS NOT TO BE COPIED OR TRANSMITTED