

Excellent Integrated System Limited

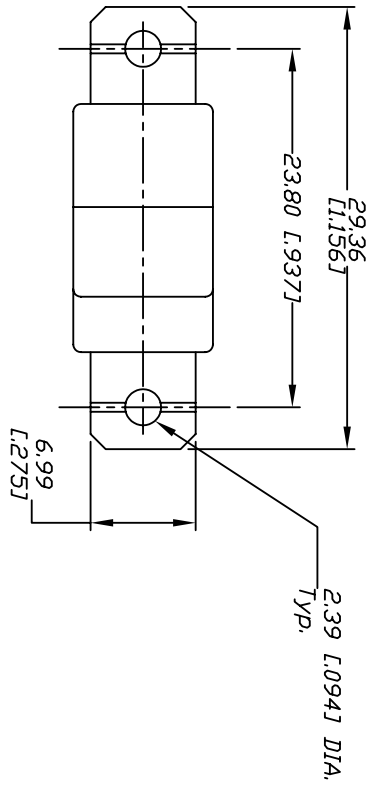
Stocking Distributor

Click to view price, real time Inventory, Delivery & Lifecycle Information:

[E-Switch](#)
[300SP3R1M1QE](#)

For any questions, you can email us directly:

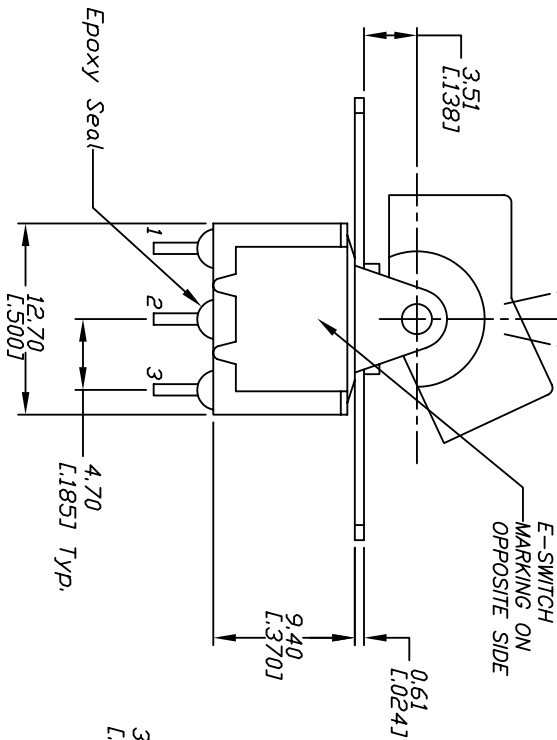
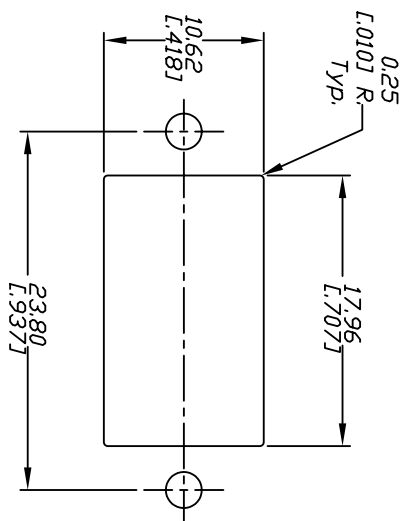
sales@integrated-circuit.com



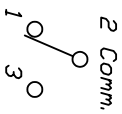
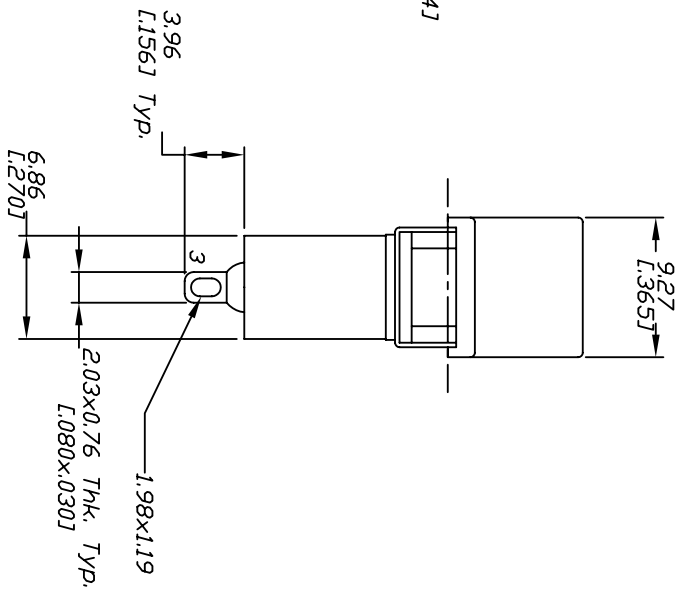
PDS. 2

PDS. 1 PDS. 3

RECOMMEND PANEL MOUNTING



E-SWITCH MARKING ON OPPOSITE SIDE



CIRCUIT: SPDT CONTACT CONFIGURATION

SWITCH FUNCTION		
PDS. 1	PDS. 2	PDS. 3
DN	OFF	DN
2-3	OPEN	2-1

NOTES:

1. ALL DIMENSIONS IN MM [INCH]
2. GENERAL TOLERANCE: 0.0=±0.4 0.00=±0.25
3. TERM. NOS. FOR REF. ONLY
4. CONTACT RATING: 5 Amps @120VAC or 28VDC; 2 Amps @250VAC.

E-SWITCH®

300 SP-3 R1 M1 Q E

REV.	ECN No.	DESCRIPTION	DATE	CHKD
A	10475	RELEASED FOR PRODUCTION		

TITLE	SCALE	DATE	DR	DWG	REV
300 SP-3 R1 M1 Q E	2:1	12/21/99	MM	T311019	A

THE INFORMATION CONTAINED IN THIS DOCUMENT IS PROPRIETARY TO E-SWITCH AND IS NOT TO BE COPIED OR TRANSFERRED