

Excellent Integrated System Limited

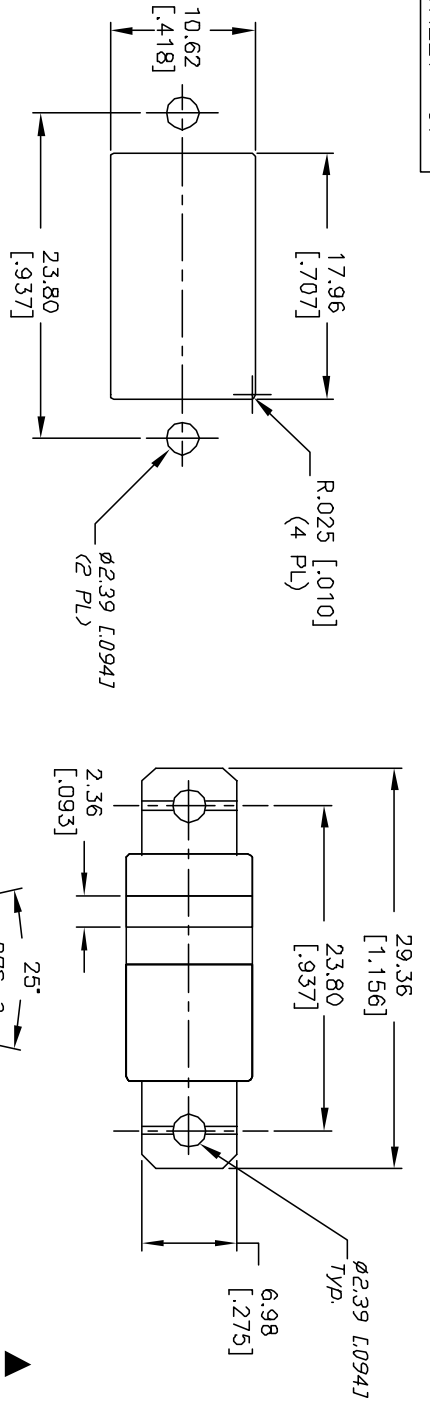
Stocking Distributor

Click to view price, real time Inventory, Delivery & Lifecycle Information:

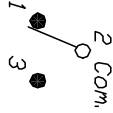
[E-Switch](#)
[300SP3R2BLKM1RE](#)

For any questions, you can email us directly:

sales@integrated-circuit.com



RECOMMENDED PANEL MOUNTING

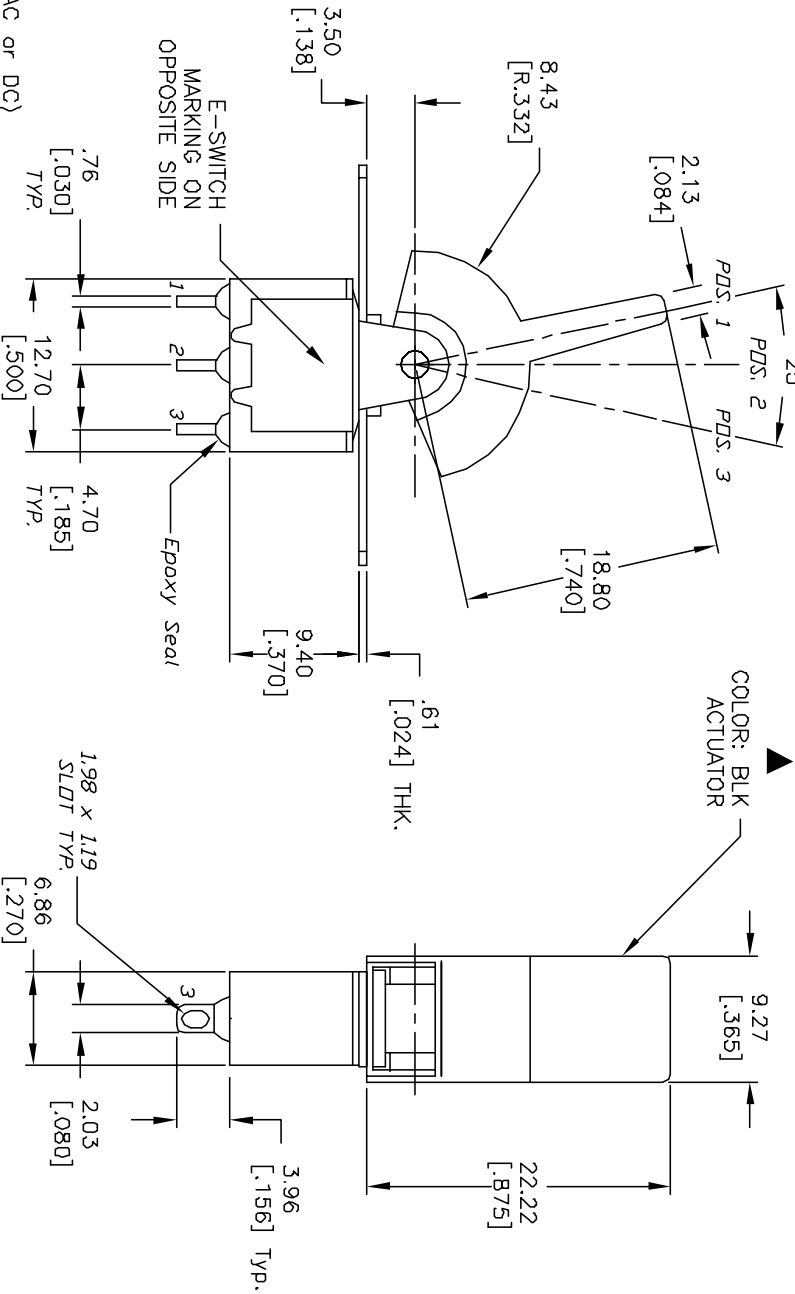


CIRCUIT: SPDT
 CONTACT CONFIGURATION

SWITCH FUNCTION		
PDS. 1	PDS. 2	PDS. 3
CN	OFF	CN
2-3	OPEN	2-1

NOTES:

1. ALL DIMENSIONS IN MM [INCH]
 2. GENERAL TOLERANCE: X.X=±0.4;
X.XX=±0.25
 3. TERM. NOS. FOR REF. ONLY
 4. CONTACT RATING: 0.4 (VA) MAX. @ 20V MAX. (AC or DC)
 5. ELECTRICAL LIFE: 50,000 make-and-break cycles at full load.
 6. INSULATION RESISTANCE: 1,000M ohm min.
 7. DIELECTRIC STRENGTH: 1,000 V RMS @sea level
- B. OPERATION TEMP.: -30°C to 85°C



E-SWITCH®

REV.	ECN No.	DESCRIPTION	DATE	CHKD
A	11493	RELEASED FOR PRODUCTION	5/08/01	CJB

TITLE	SCALE	DATE	DR	DWG	REV
300 SP-3 R2 (BLK) M1 R E	2:1	5/08/01	CJB	T311049	A

THE INFORMATION CONTAINED IN THIS DOCUMENT IS PROPRIETARY TO E-SWITCH AND IS NOT TO BE COPIED OR TRANSMITTED