

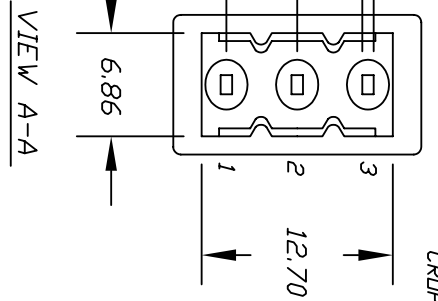
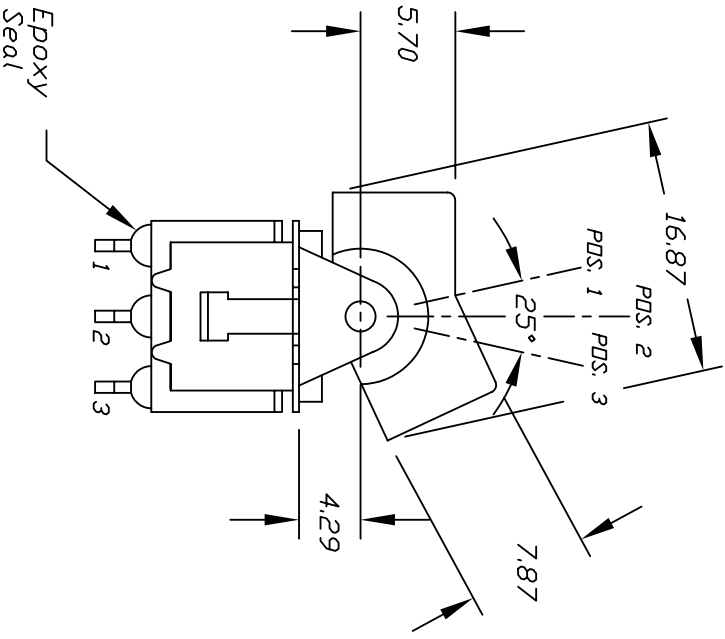
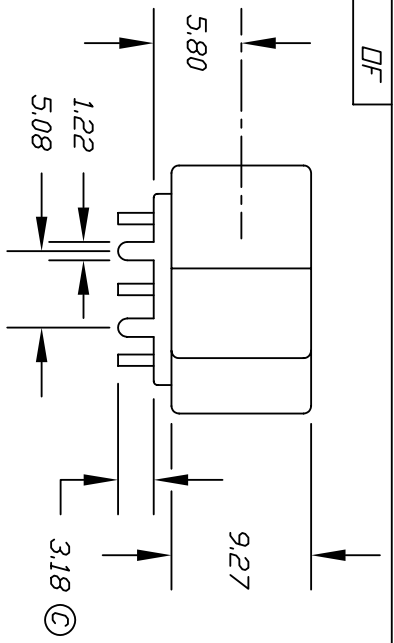
Excellent Integrated System Limited

Stocking Distributor

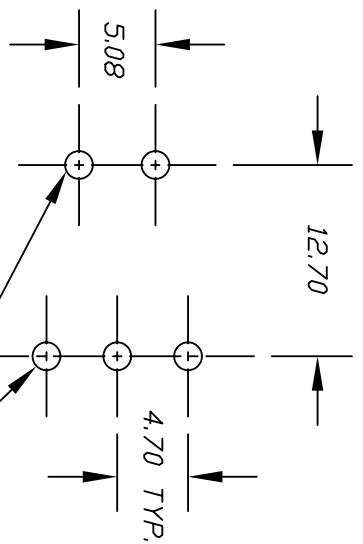
Click to view price, real time Inventory, Delivery & Lifecycle Information:

[E-Switch](#)
[300SP4J1M6QE](#)

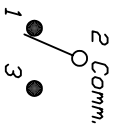
For any questions, you can email us directly:
sales@integrated-circuit.com



NOTE:
CONTACTS & BRACKET
CROPPED FOR CLARITY



RECOMMEND P.C.B. LAYOUT



CIRCUIT: SPDT

CONTACT CONFIGURATION

SWITCH FUNCTION		
PDS: 1	PDS: 2	PDS: 3
(DN)	OFF	(DN)
2-3	OPEN	2-1

()=Momentary

- NOTES:
1. ALL DIMENSIONS IN MM
 2. TERM NUMBERS FOR REFERENCE ONLY
 3. RATING: 5A @250VAC OR 28VDC 2A @250VAC
 4. TOLERANCES: XX±0.4 X.XX±0.25

REV.	ECN	DESCRIPTION	DATE	CHK
C	15420	CHANGES NOTED WERE 3.18,2.36	10/20/05	PH
B		REVISED & REDRAWN	7/23/97	

TITLE	SCALE	DATE	DR	DWG	REV
300 SP-4 J1 M6 Q E	2:1	6/6/96	MM	T314000	C

E-SWITCH®

THE INFORMATION CONTAINED IN THIS DOCUMENT IS PROPRIETARY TO E-SWITCH AND IS NOT TO BE COPIED OR TRANSFERRED