

Excellent Integrated System Limited

Stocking Distributor

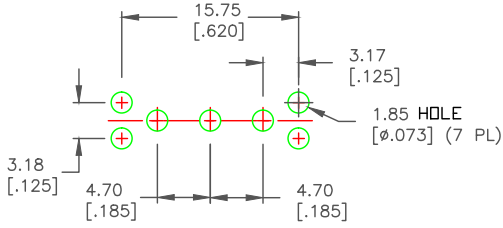
Click to view price, real time Inventory, Delivery & Lifecycle Information:

[E-Switch](#)
[300SP4J2REDVS2RE](#)

For any questions, you can email us directly:

sales@integrated-circuit.com

SHEET OF



RECOMMENDED PCB LAYOUT
SCALE 2:1

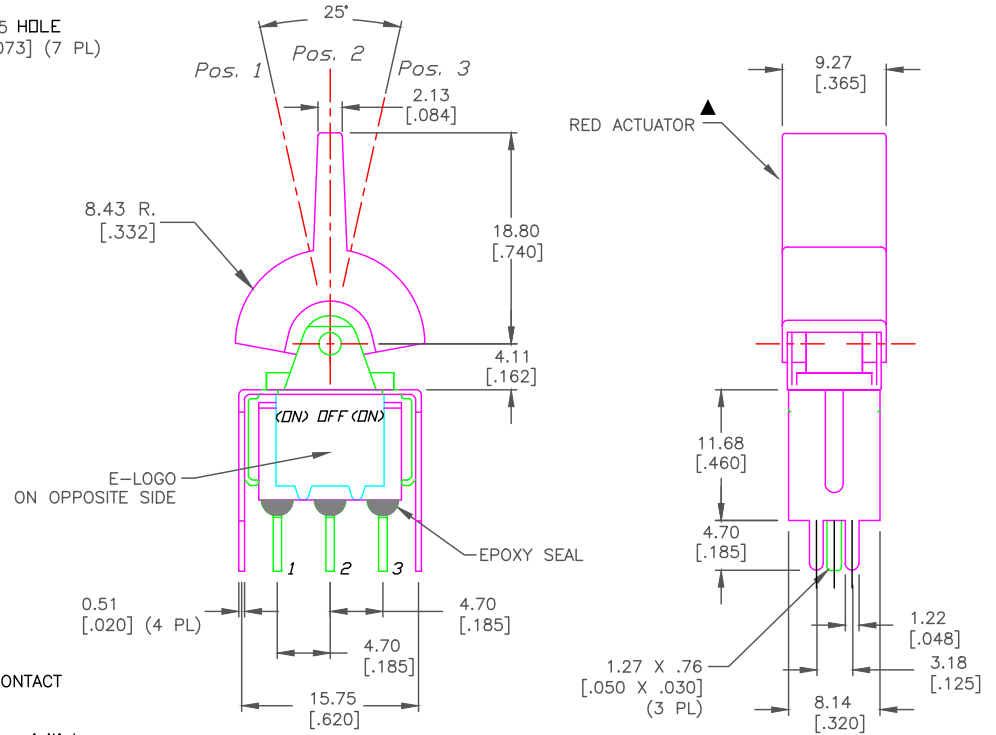


CIRCUIT: SPST

SWITCH FUNCTION		
POS. 1	POS. 2	POS. 3
<DN>	OFF	<DN>
2-3	OPEN	2-1

(>) =Momentary

- NOTES:
1. ALL DIMENSIONS IN MM [INCH]
 2. GENERAL TOLERANCE: X.X=±0.4
X.XX=±0.25
 3. TERM. NOS. FOR REF. ONLY
 4. RATING: 0.4VA @20V AC or DC max.
 - ▲ 5. MATERIAL: FIXED TERMINAL & MOVING CONTACT
Copper Alloy w/Gold plate over Nickel plate.
 6. CONTACT RESISTANCE: 10mILLI Ohms max initial
@2-4VDC, 100mA for AG & AU
 7. ELECTRICAL LIFE: 50,000 make-and-break
cycles at full load.
 8. INSULATION RESISTANCE: 1,000M ohm min.
 9. DIELECTRIC STRENGTH: 1000V RMS @sea level
 10. OPERATING TEMP.: -30°C to 85°C



TITLE		300SP4J2REDVS2RE	
SCALE	DATE	DR	DWG
2:1	9/26/02	CJB	T314023
			REV
			B

B	21866	DRAWING UPDATES	6/3/15	MW
A	12171	RELEASED FOR PRODUCTION	9/26/02	CJB
REV.	ECN No.	DESCRIPTION	DATE	CHKD
THE INFORMATION CONTAINED IN THIS DOCUMENT IS PROPRIETARY TO E-SWITCH AND IS NOT TO BE COPIED OR TRANSFERRED				