

## Excellent Integrated System Limited

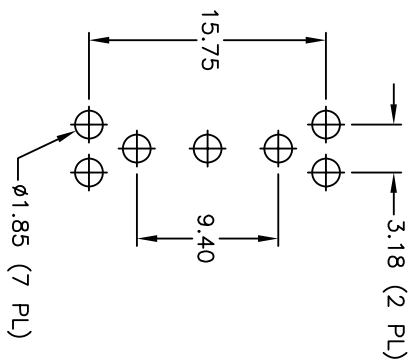
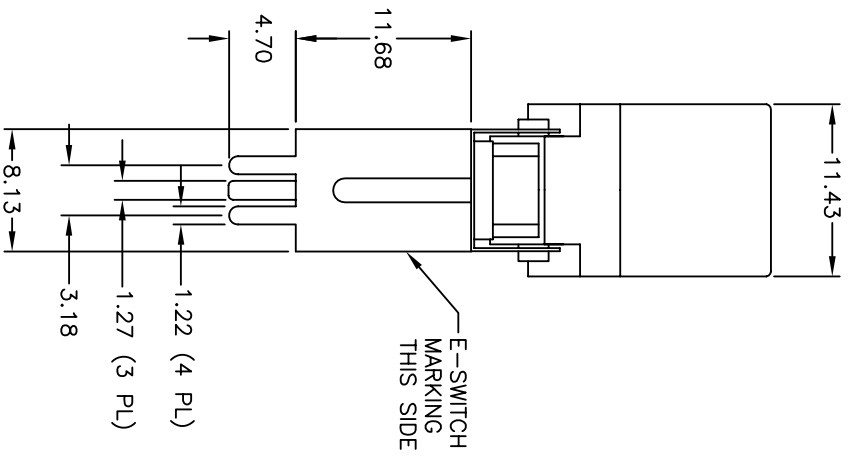
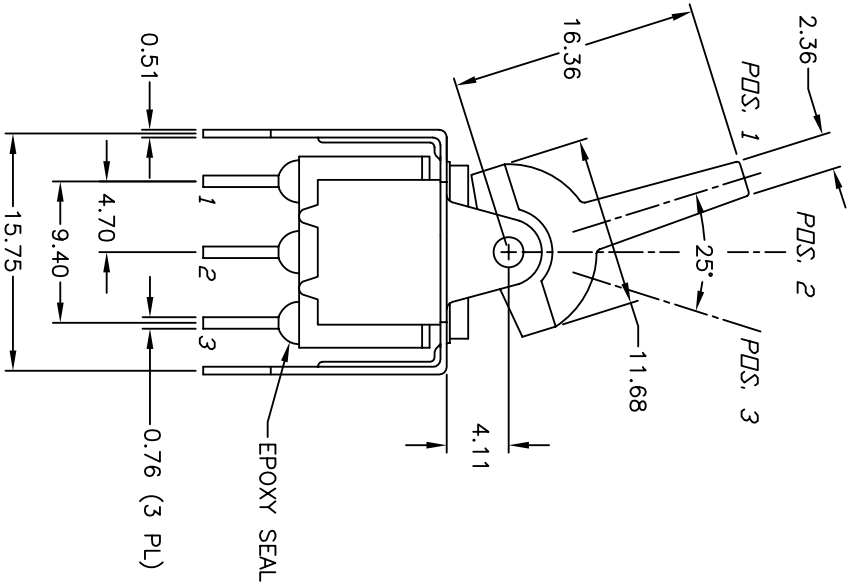
Stocking Distributor

Click to view price, real time Inventory, Delivery & Lifecycle Information:

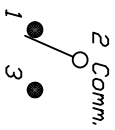
[E-Switch](#)  
[300SP4J6VS2QE](#)

For any questions, you can email us directly:

[sales@integrated-circuit.com](mailto:sales@integrated-circuit.com)



RECOMMENDED PCB LAYOUT



CIRCUIT: SPDT

SWITCH FUNCTION		
PDS. 1	PDS. 2	PDS. 3
<DN>	OFF	<DN>
2-3	OPEN	2-1

< > = MOMENTARY

CONTACT CONFIGURATION

- NOTES:
1. ALL DIMENSIONS IN MM
  2. GENERAL TOLERANCE: 0.0=±0.4  
0.00=±0.25
  3. TERMINAL NUMBERS FOR REF ONLY
  4. RATING: 5 AMPS @ 120VAC OR 28VDC;  
2 AMPS @ 250VAC
  5. ELECTRIC LIFE: 50,000 make-and-break cycles  
at full load.
  6. INSULATION RESISTANCE: 1,000 Mega-ohm min.
  7. DIELECTRIC STRENGTH: 1,000 V RMS @sea level.
  8. OPERATING TEMP.: -30°C to 85°C

**E-SWITCH®**

300 SP4 J6 VS2 Q E

REV.	ECN No.	DESCRIPTION	DATE	CHKD
A	10690	RELEASED FOR PRODUCTION	6/17/00	GLG

TITLE	SCALE	DATE	DR	DWG	REV
300 SP4 J6 VS2 Q E	2:1	6/17/00	GLG	T314022	A

THE INFORMATION CONTAINED IN THIS DOCUMENT IS PROPRIETARY TO E-SWITCH AND IS NOT TO BE COPIED OR TRANSFERRED