

## Excellent Integrated System Limited

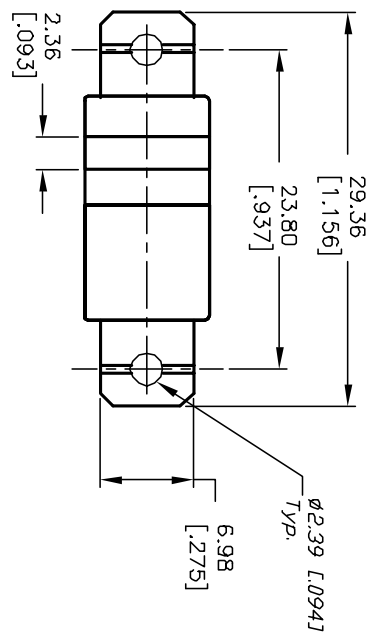
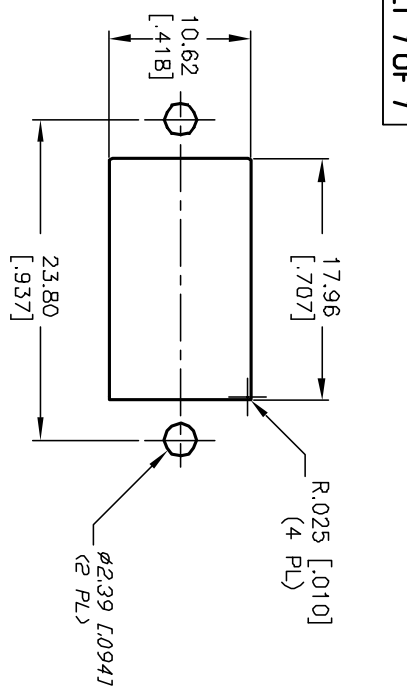
Stocking Distributor

Click to view price, real time Inventory, Delivery & Lifecycle Information:

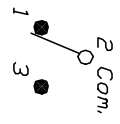
[E-Switch](#)  
[300SP4R2BLKM1QE](#)

For any questions, you can email us directly:

[sales@integrated-circuit.com](mailto:sales@integrated-circuit.com)

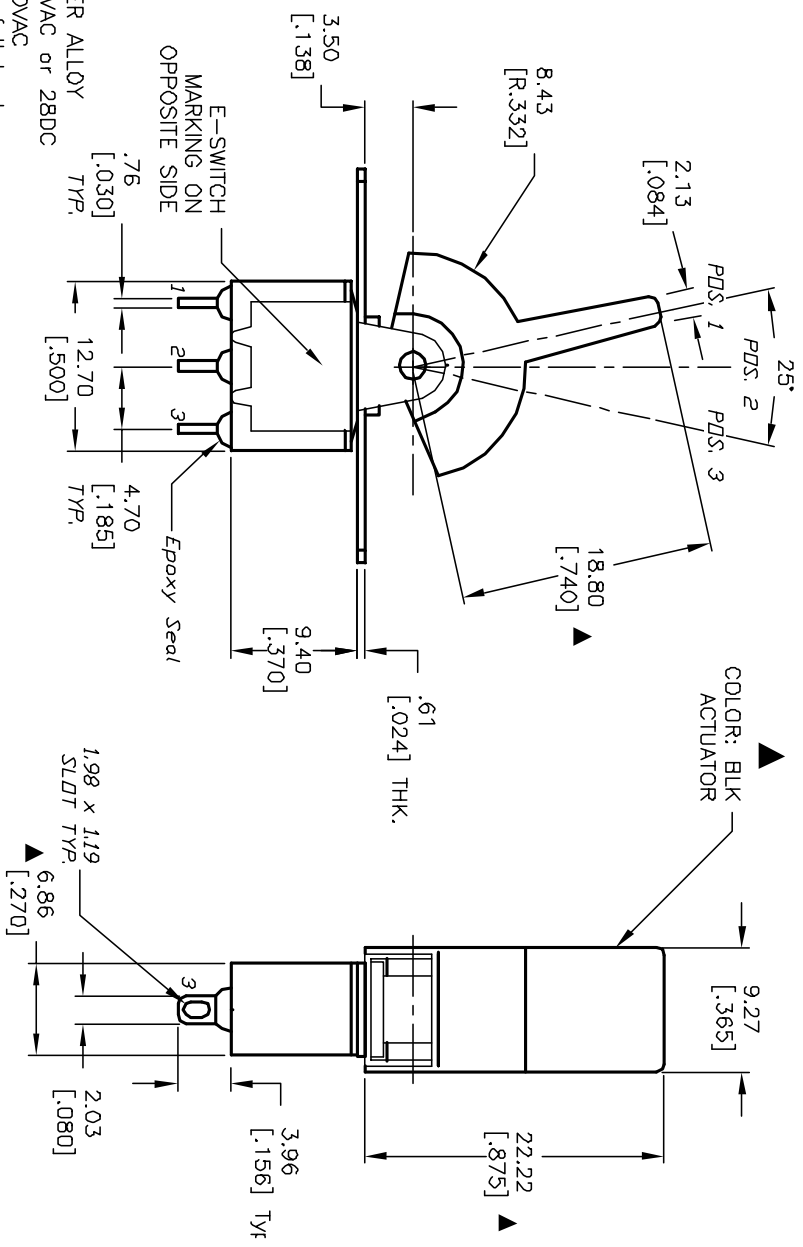


RECOMMENDED PANEL MOUNTING



CIRCUIT: SPDT  
 CONTACT CONFIGURATION

SWITCH FUNCTION		
PDS. 1	PDS. 2	PDS. 3
<DN>	OFF	<DN>
2-3	OPEN	2-1



- NOTES:
1. ALL DIMENSIONS IN MM [INCH]
  2. GENERAL TOLERANCE: X.X=±0.4; X.XX=±0.25
  3. TERM. NOS. FOR REF. ONLY
  4. FIXED AND MOVING CONTACTS: SILVER PLATED COPPER ALLOY
  5. CONTACT RATING: 5 AMPS W/RESISTIVE LOAD @ 120VAC or 28DC  
 2 AMPS W/RESISTIVE LOAD @ 250VAC
  6. ELECTRICAL LIFE: 50,000 make-and-break cycles at full load.
  7. INSULATION RESISTANCE: 1,000M ohm min.
  8. DIELECTRIC STRENGTH: 1,000 V RMS @sea level
  9. OPERATION TEMP.: -30°C to 85°C
  10. ▲ DENOTES CRITICAL PARAMETER.

REV.	ECN NO.	DESCRIPTION	DATE	CHKD	SCALE	DATE	DR	DWG	REV
A	13074	RELEASED FOR PRODUCTION	4/23/03	AR	2:1	4/23/03	AR	T314068	A

**E-SWITCH®**

300SP4R2BLKM1QE

THE INFORMATION CONTAINED IN THIS DOCUMENT IS PROPRIETARY TO E-SWITCH AND IS NOT TO BE COPIED OR TRANSFERRED