

## Excellent Integrated System Limited

Stocking Distributor

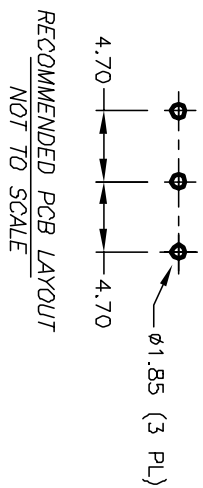
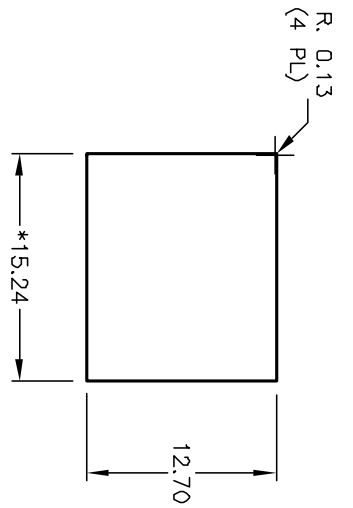
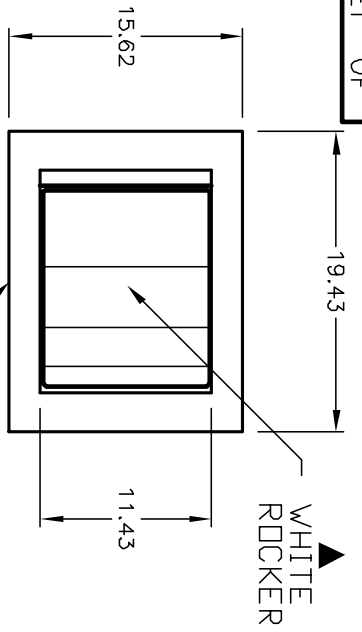
Click to view price, real time Inventory, Delivery & Lifecycle Information:

[E-Switch](#)  
[300SP4R6WHTM2QEWHT](#)

For any questions, you can email us directly:

[sales@integrated-circuit.com](mailto:sales@integrated-circuit.com)

SHEET OF



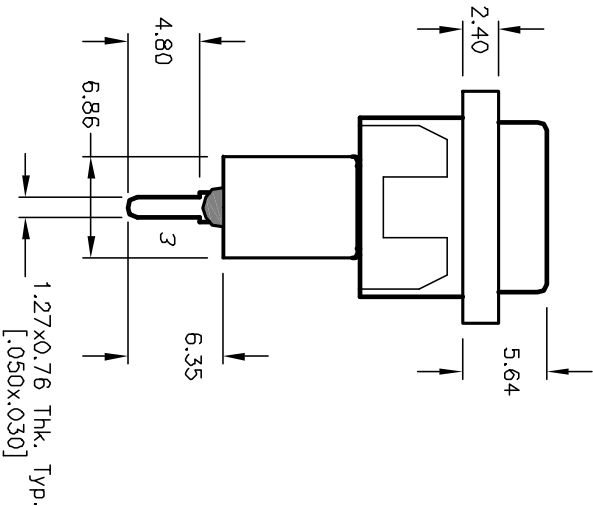
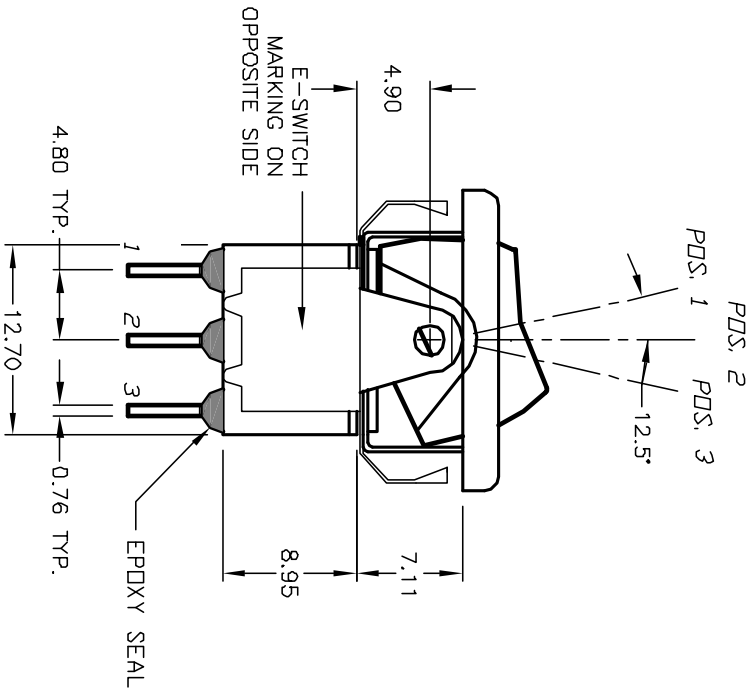
WHITE BEZEL

RECOMMENDED PANEL MOUNTING

PANEL THICKNESS  
1.52 TO 3.18

CIRCUIT: SPDT

\* DIMENSION IS 15.75/15.88 FOR PANEL THICKNESS BETWEEN 1.52mm TO 3.18mm



NOTES:

1. ALL DIMENSIONS IN MM
2. GENERAL TOLERANCE: X.XX=±0.4
3. TERM. NOS. FOR REF. ONLY
4. RATING: 5A @120VAC OR 2BVDC 2A @250VAC
5. MATERIAL: FIXED TERMINAL & MOVING CONTACT  
Copper Alloy w/Silver Plate
6. CONTACT RESISTANCE: 10mΩ @ 100mA for AG & AU @2-4VDC, 100mA for AG & AU
7. ELECTRICAL LIFE: 50,000 make-and-break cycles at full load.
8. INSULATION RESISTANCE: 1,000M ohm min.
9. DIELECTRIC STRENGTH: 1000V RMS @sea level
10. OPERATING TEMP.: -30°C to 85°C

SWITCH FUNCTION	POS. 1	POS. 2	POS. 3
<DN>	<DN>	DFP	<DN>
2-3	DPEN	2-1	

( ) = Momentary

**E-SWITCH®**

REV. A	12647	RELEASED	12/20/02	CB	TITLE	300 SP-4 R6 WHT M2 Q E WHT	DR	CB	DWG	T314032	REV	A
ECN No.		DESCRIPTION	DATE	CHKD	SCALE	2:1	DATE	12/20/02				

THE INFORMATION CONTAINED IN THIS DOCUMENT IS PROPRIETARY TO E-SWITCH AND IS NOT TO BE COPIED OR TRANSMITTED