

## Excellent Integrated System Limited

Stocking Distributor

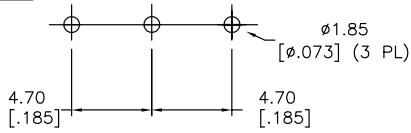
Click to view price, real time Inventory, Delivery & Lifecycle Information:

[E-Switch](#)  
[300SP5J1BLKM1QE](#)

For any questions, you can email us directly:

[sales@integrated-circuit.com](mailto:sales@integrated-circuit.com)

SHEET 1 OF 1



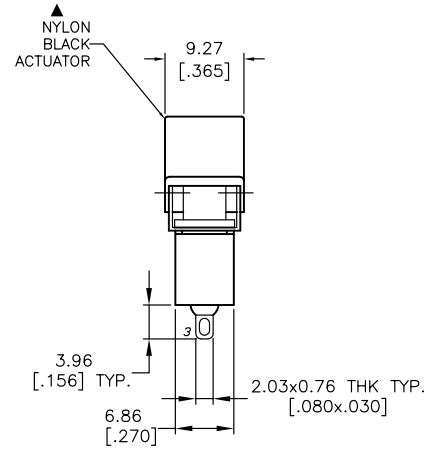
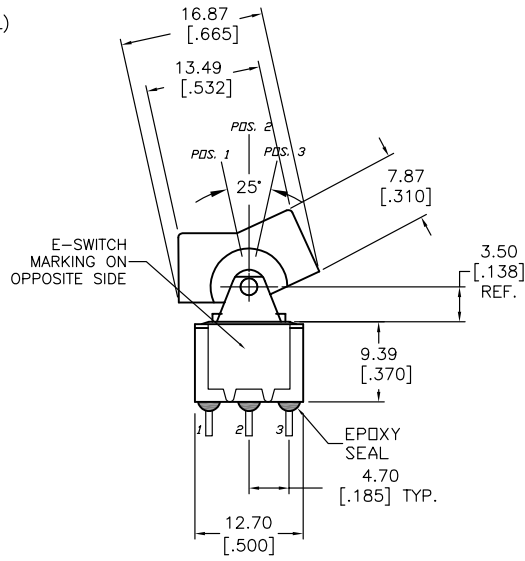
RECOMMENDED PCB LAYOUT  
NOT TO SCALE



CIRCUIT: SPST

SWITCH FUNCTION		
POS. 1	POS. 2	POS. 3
ON	OFF	<ON>
2-3	OPEN	2-1

<ON> = MOMENTARY



NOTES:

- ALL DIMENSIONS IN MM [INCH]
- GENERAL TOLERANCE: X.X=±0.4  
X.XX=±0.25
- TERM. NOS. FOR REF. ONLY
- RATING: 5A @120VAC or 28VDC  
2A @250VAC
- MATERIAL: FIXED TERMINAL & MOVING CONTACT  
Copper Alloy w/Silver plate
- CONTACT RESISTANCE: 10mILLI Ohms max initial  
@2-4VDC, 100mA for AG & AU
- ELECTRICAL LIFE: 50,000 make-and-break  
cycles at full load.
- INSULATION RESISTANCE: 1,000M ohm min.
- DIELECTRIC STRENGTH: 1000V RMS @sea level
- OPERATING TEMP.: -30°C to 85°C

**E-SWITCH®**

A	13916	RELEASED FOR PRODUCTION	4/15/04	AR
REV.	ECN No.	DESCRIPTION	DATE	CHKD

THE INFORMATION CONTAINED IN THIS DOCUMENT IS PROPRIETARY TO E-SWITCH AND IS NOT TO BE COPIED OR TRANSFERRED

TITLE				
300SP5J1BLKM1QE				
SCALE	DATE	DR	DWG	REV
1.5:1	4/15/04	AR	T315005	A